



DS776 & DS777 | WINDOW
HANDLES

DS776 & DS777 AWNING & CASEMENT WINDOW LOCKS & CASEMENT WINDOW LOCKS

Doric is delighted to unveil the stylish new DS776 & DS777 Awning & Casement Window Handles.

This latest addition to the Doric window hardware family has been specifically designed to suit the requirements of the Australian & New Zealand Window and Door market.

This modern handle design is not only visually appealing it has been manufactured from a die-casted zinc body which delivers strength and durability, two characteristics that will ensure your piece of mind once the window has been secured.



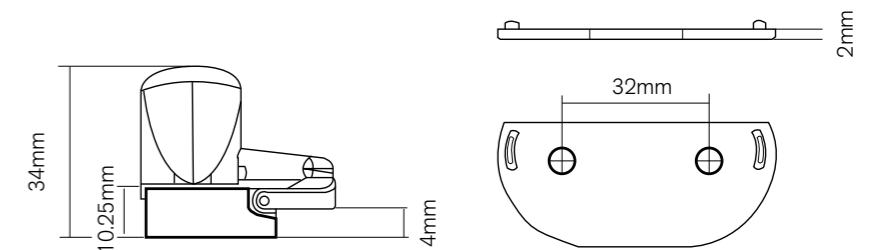
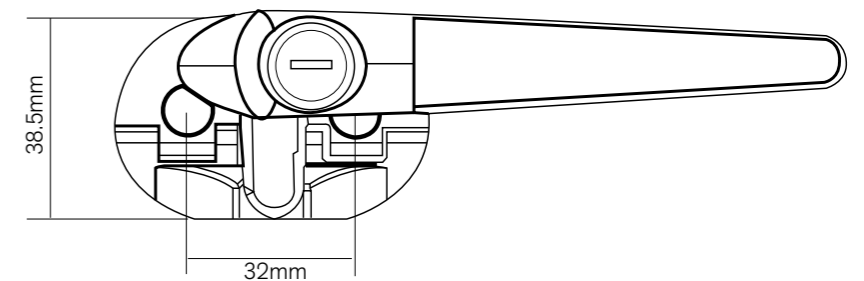
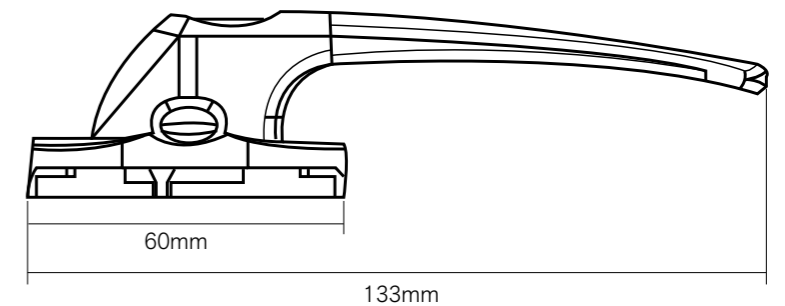
Actuated by a stainless steel spring mechanism, these cam free awning & casement window handles will compliment all residential and commercial window applications.

Backed by the Doric 7 Year warranty and strength tested in accordance with highest of Australian Standards, the new DS776 & DS777 window handles are sure to compliment your next project.

TECHNICAL SPECIFICATIONS

MATERIALS

BODY:	Die cast zinc
BASE:	Pressure die cast
FINISH AVAILABLE:	Powdercoat Silver, Black & White



Locking Option Provides Greater Security

Stainless Steel Spring Mechanism



Zinc Die-cast Handle

DS777
Keyed Awning Handle



DS776
Non-Keyed Awning Handle

PRODUCT BENEFITS

- Suitable for use on casement and awning windows
- Solid constructed lever manufactured from Zinc die-cast
- Stylish modern contemporary design
- Easy to operate lever handle mechanism
- Wedge actuation controlled by stainless steel spring mechanism
- Optional packer supplied for precise window fitting onto most aluminium, timber and uPVC windows
- Non Lockable and Lockable versions available in both Right & Left Hand
- Key locking compatible with other Doric window and door products
- Available in Powder-coated silver, black and white finishes



INNOVATORS

OF HARDWARE FOR WINDOWS AND DOORS

SYDNEY

38 Redfern St,
Wetherill Park
Sydney, NSW 2164
Australia
Ph: +61 2 9609 2555
www.doric.com.au

AUCKLAND

26/C Triton Drive,
Albany, North Shore,
New Zealand 0632
Auckland
Ph: +64 9 415 5535
www.doricnz.co.nz

KUALA LUMPUR

No.17 Jalan 51/203A, Kawasan
perindustrian Tiong Nam,
Seksyen 51, 46050 Petaling Jaya,
Selangor, Malaysia
Ph: +60377733628
www.doric.com.my



DS776 & DS777 | WINDOW HANDLES