

---

**DT11 & DT12** | WINDOW  
LOCK

# DT11 & DT12

## WINDOW LOCK

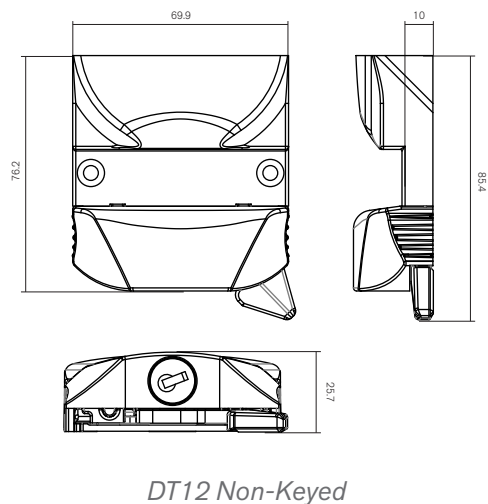
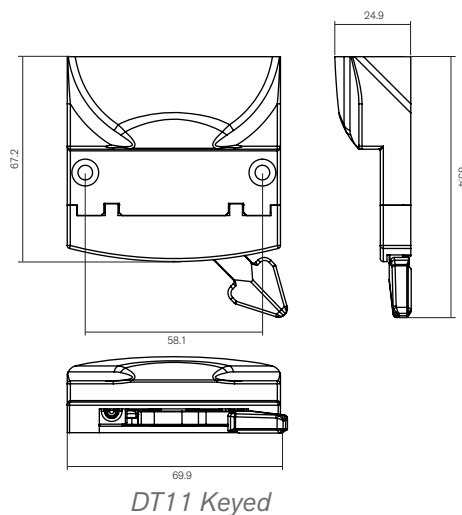
### OVERVIEW

Doric welcomes the latest addition to the range of "Sterling Series Window Locks".

The DT11 & DT12 locks have been designed to provide a key locking solution for Casement and Awning windows.

### FEATURES

- Key locking for window types where a non locking arm winder is or has been installed. The addition of this lock satisfies existing insurance #\$\$%^&\* (where key locks are required on windows).
- Fixings and footprint complimentary to existing casement and awning window latches. This allows for retrofit applications without additional machining and the utilisation of existing window design and timber profiles.
- An easily removed cylinder housing that allows for the screen to be easily removed and the glass cleaned.
- Matching key numbers to the existing window lock range.
- Premium construction and finish.
- Non locking latch version available for wide awnings and casement windows where a better seal compression is required.
- Non handed design.



### Technical Specifications

#### Materials:

Body: Zinc & Acetal

Keeper: Stainless Steel

**Finishes Available:** Doric standard powder coat colours

**Cylinder:** One key solution to all window types.



*DT11 Keyed*

*DT12 Non-Keyed*