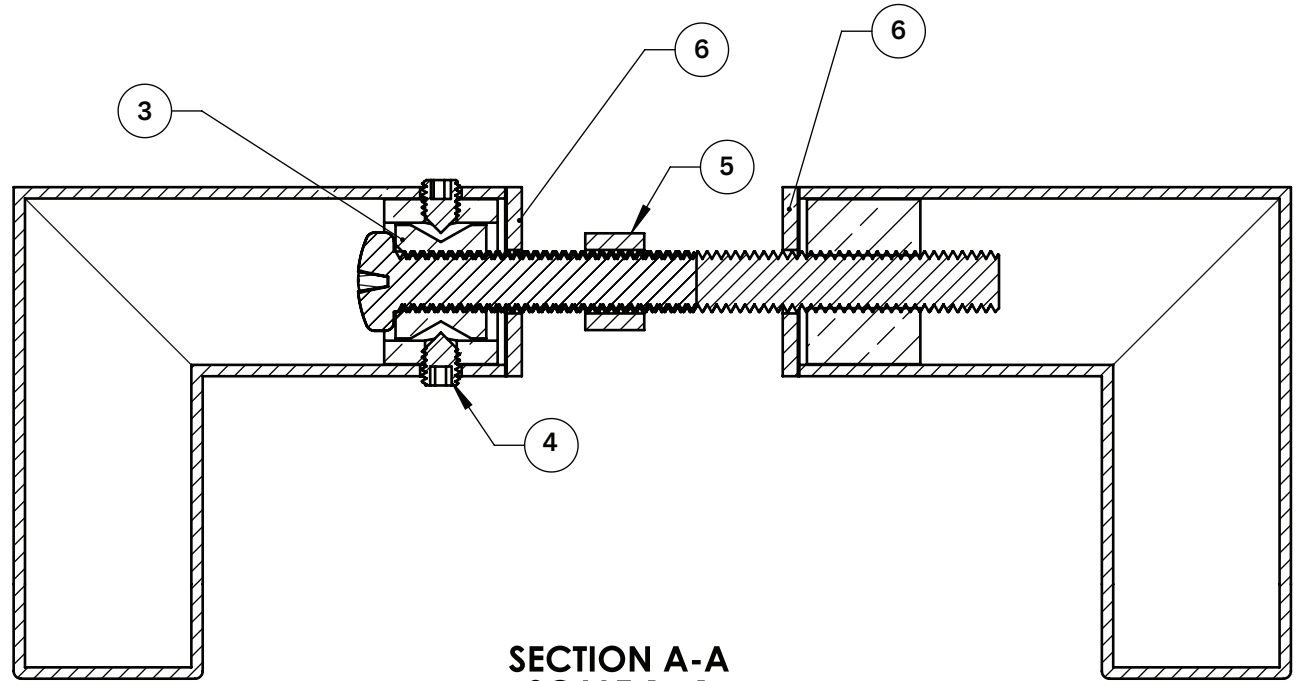
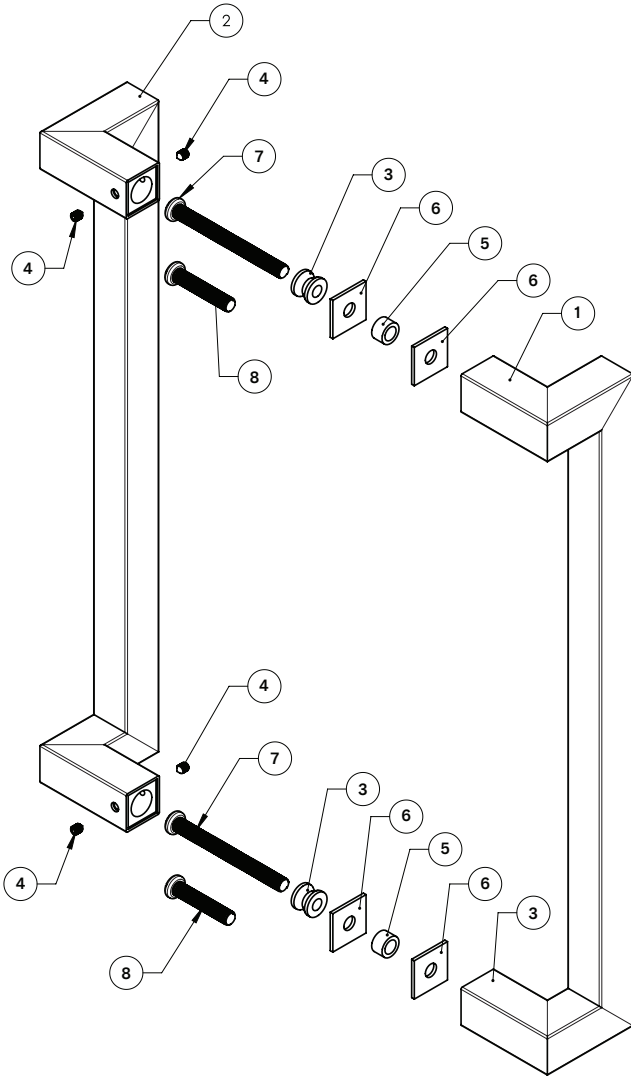


INSTALLATION GUIDE



SECTION A-A
SCALE 1 : 1

Item No.	Title	Default Qty.
1	External Handle	1
2	Internal Handle	2
3	Fixing Insert	2
4	M5x7mm Grub Screw	4
5	Glass Protection Sleeve	2
6	Protective Pad	4
7	M8x80mm Screw	2
8	M8x40mm Screw	2

DN197

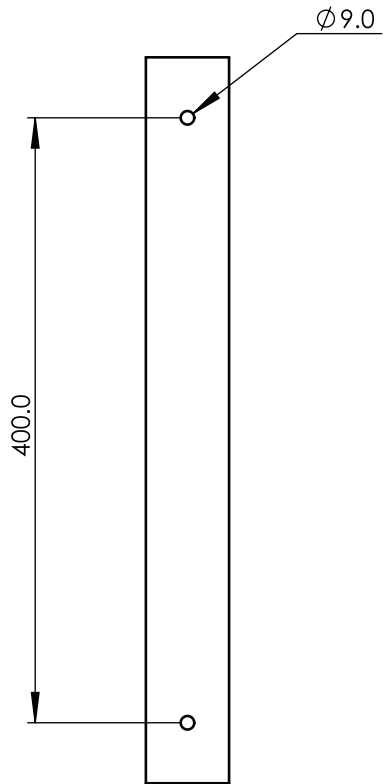
SQUARE OFFSET ENTRANCE HANDLE SET

Head office:
38 Redfern St
Wetherill Park NSW 2164
Australia

Ph: 1300 132 389
Fax: 1300 652 292
sales@doric.com.au
www.doric.com.au

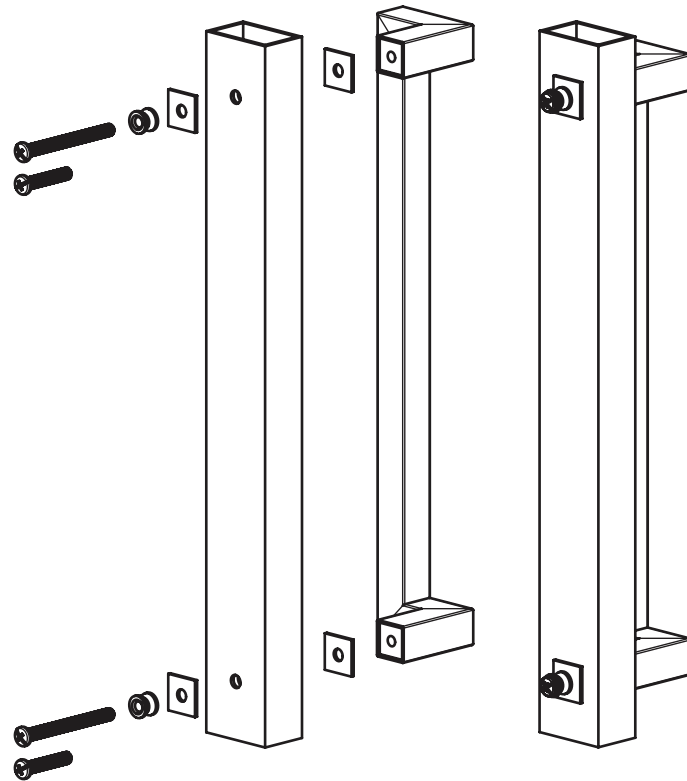


INSTALLATION GUIDE



1. Location setup

Measure out, align and drill two holes with a 9mm diameter, 400mm apart (centre to centre), and all the way through the frame.

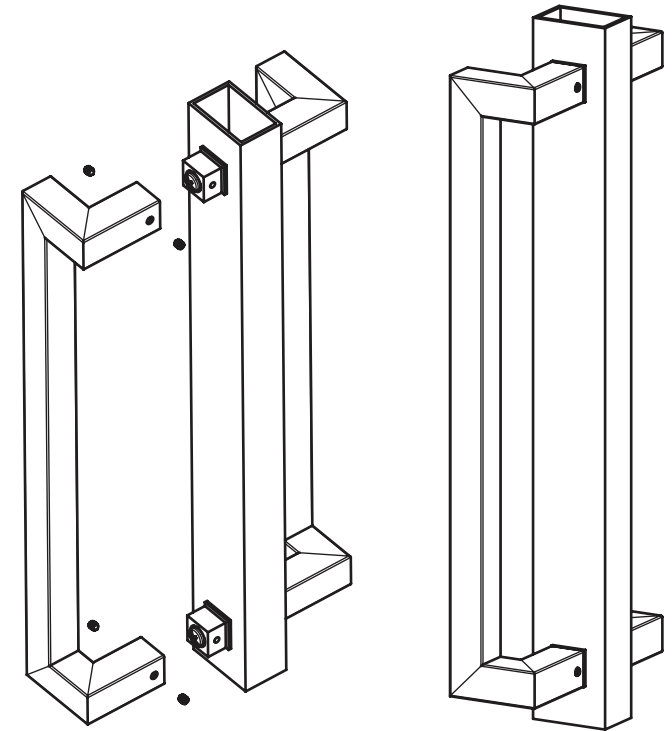


2. Fitting First Handle

Take a M8x80mm screw, slide on a Fixing Insert and Protective Pad, then fit through the top 9mm hole from the internal side, ensuring it clears the other side.

Add another Protective Pad, then screw into the External Handle firmly until tight. Repeat for bottom hole.

Note: When assembling directly onto glass, use the M8x40mm screws and Glass Protection Sleeves



3. Fitting Second Handle

Slide the Internal Handle over the fixing insert until flush against the door frame.

Ensure the handle is secure without any movement

Fix the M5x7mm grub screws through the pre-drilled side holes on the second handle until tight.

DN197

SQUARE OFFSET ENTRANCE HANDLE SET

Head office:
38 Redfern St
Wetherill Park NSW 2164
Australia

Ph: 1300 132 389
Fax: 1300 652 292
sales@doric.com.au
www.doric.com.au

