



---

**DH104** | HEAVY DUTY  
FAST FIX HINGE

# The DH104 Hinge is suitable for both aluminium and timber doors

## APPLICATION

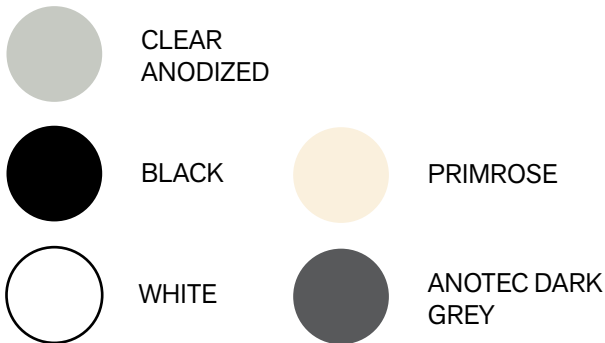
- Suitable for aluminium & timber doors
- Suitable for both centre and front edged glazing systems

### Hinges per door guide:

- DH104 – Up to 2000 high x 900 x 100kg – 3 hinges
- DH104 – Over 2000 high x 900 x 100kg – 4 hinges
- Minimum door thickness 40mm
- Recommendation that a minimum of 3 hinges be used with the top hinge located as high as possible

For excessive usage a fourth hinge may be required.

## COLOURS



## FIXINGS

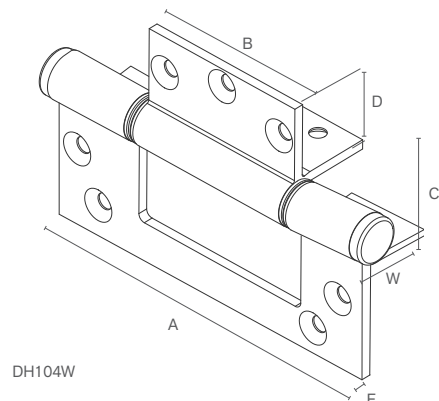
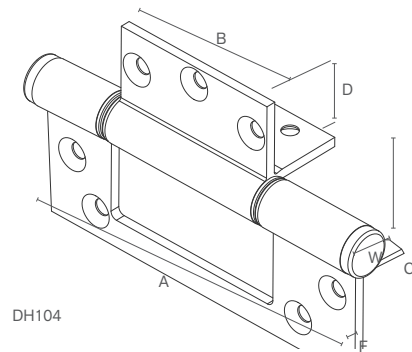
- Two directional
- Locator allows for faster fixing

### Doric Product Codes:

- 9042151 - DH104 Hinge – Clear
- 9042152 - DH104 Hinge – Black
- 9042153 - DH104 Hinge – White
- 9042154 - DH104 Hinge – Primrose

## PRODUCT DETAILS

<b>ALLOY:</b>	High Strength T.6 minimum tensile 254 mpa.
<b>PIN DIAMETER</b>	6mm stainless steel
<b>BUSHES:</b>	Nylon
<b>KNUCKLE:</b>	Squareline - heavy duty
<b>ALUMINIUM END CAPS:</b>	Pressed in, interference fit



Code#	A	B	C	D	W	F
						(wing width)
DH104	130	65	39	26	18	3.3
DH104W	130	65	39	26	26	3.3