

**DR1000 Series**  
**Heavy Duty Multi Purpose Roller**



**Doric**  
**New Zealand**

# DR1000 Series Heavy Duty Multi Purpose Roller

The DR1000 commercial roller series is manufactured from engineered polymer, offering superior corrosion resistance strength and durability. Designed to suit standard commercial applications and compatible with most standard commercial suite bottom rails, and some residential suites.

## Features

- Suits Aluminium and UPVC sliding doors
- Fully adjustable carriage gives 10mm height adjustment
- Outer carriage and internal assembly manufactured to withstand corrosive environments
- High performance roller with "ZZ" bearing and dust seal
- ZZ bearing with ground precision for corrosion free operation
- Passivated metal inner carriage
- Stainless steel adjusting screw and nut
- Recommended for larger sliding doors up to 100kg

## Technical Specifications

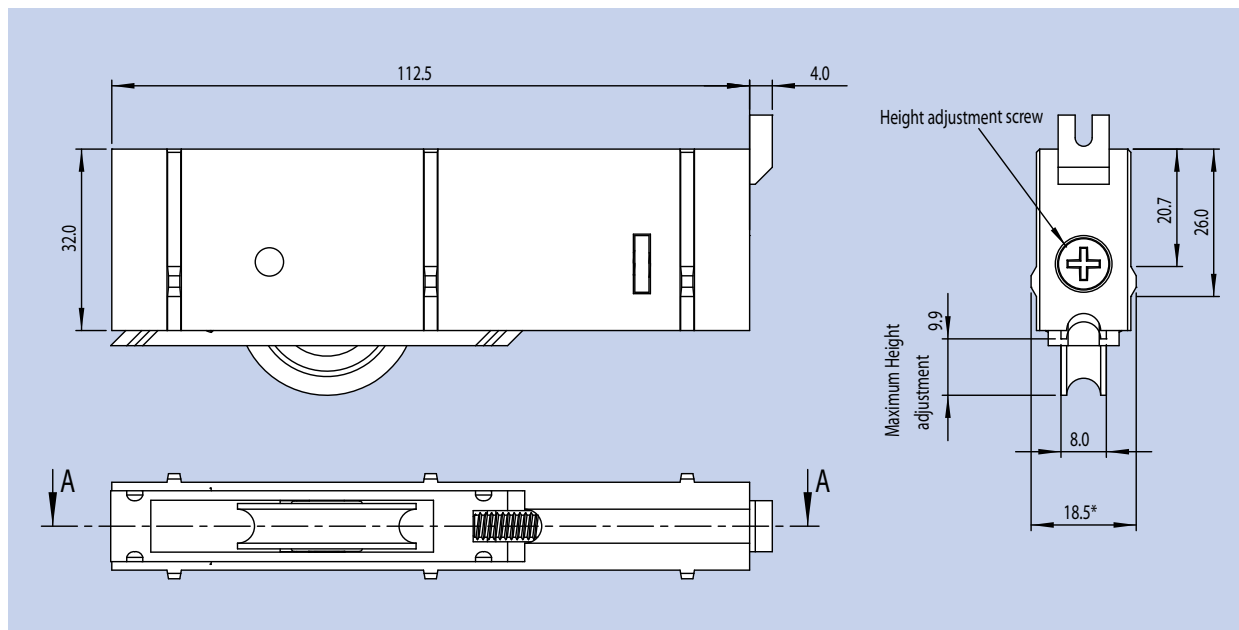
### Materials

**Outer Carriage:** Engineered polymer  
**Inner Carriage:** Cast zinc passivated  
**Tyre:** DR 71 high performance polymer with "ZZ" bearing and dust seal

**Finish Available:** Black

**Max Load Capacity:** 50kg per carriage

**Cycle Rating:** 30,000



Sydney + 61 (0) 2 9609 2555  
Auckland + 64 (0) 9 4155535  
Kuala Lumpur + 60 (0) 3 7845 5017

sales@doric.com.au  
customer\_service@doric.com.au  
www.doric.com.au

