



DR234/N | SECURITY
DOOR ROLLER

DR234/N

SECURITY DOOR ROLLER

OVERVIEW

The DR234/N Roller is the latest high performance product to be released by Doric which will replace all current security rollers.

Features include a wheel hold back function, spring loading and the ability to be adjusted by up to 7.5mm.

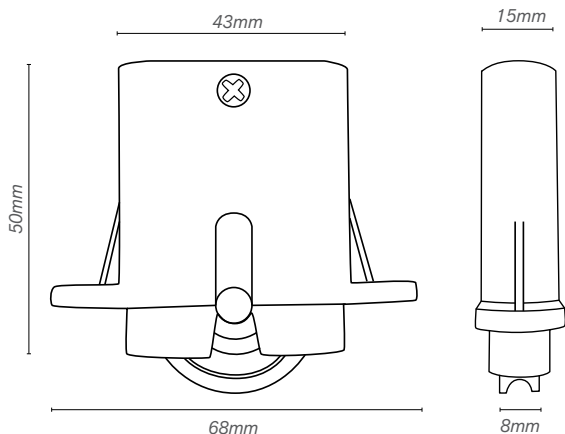
The DR234/N also uses a precision bear tyre and is made from high impact polymer housing making it both efficient and highly durable.



FEATURES

- Tested to 45kg a pair at 100 000 cycles
- Wheel hold back function
- Spring loaded
- 7.5mm of adjustment
- Precision Bear Tyre
- Hi Impact Polymer Housing
- Replaces all current security rollers
- Ideal for coastal application
- Increase wall thickness for added support around the adjusting screw
- 720 hour salt spray tested

DIMENSIONS



Technical Specifications

Material:

Engineered plastic,
zinc plated screw
& zinc nut

