

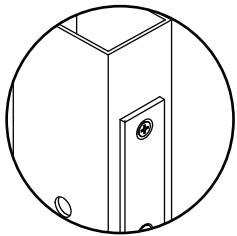
DS1295 25mm Backset

MORTICE LOCK FITTING DETAILS



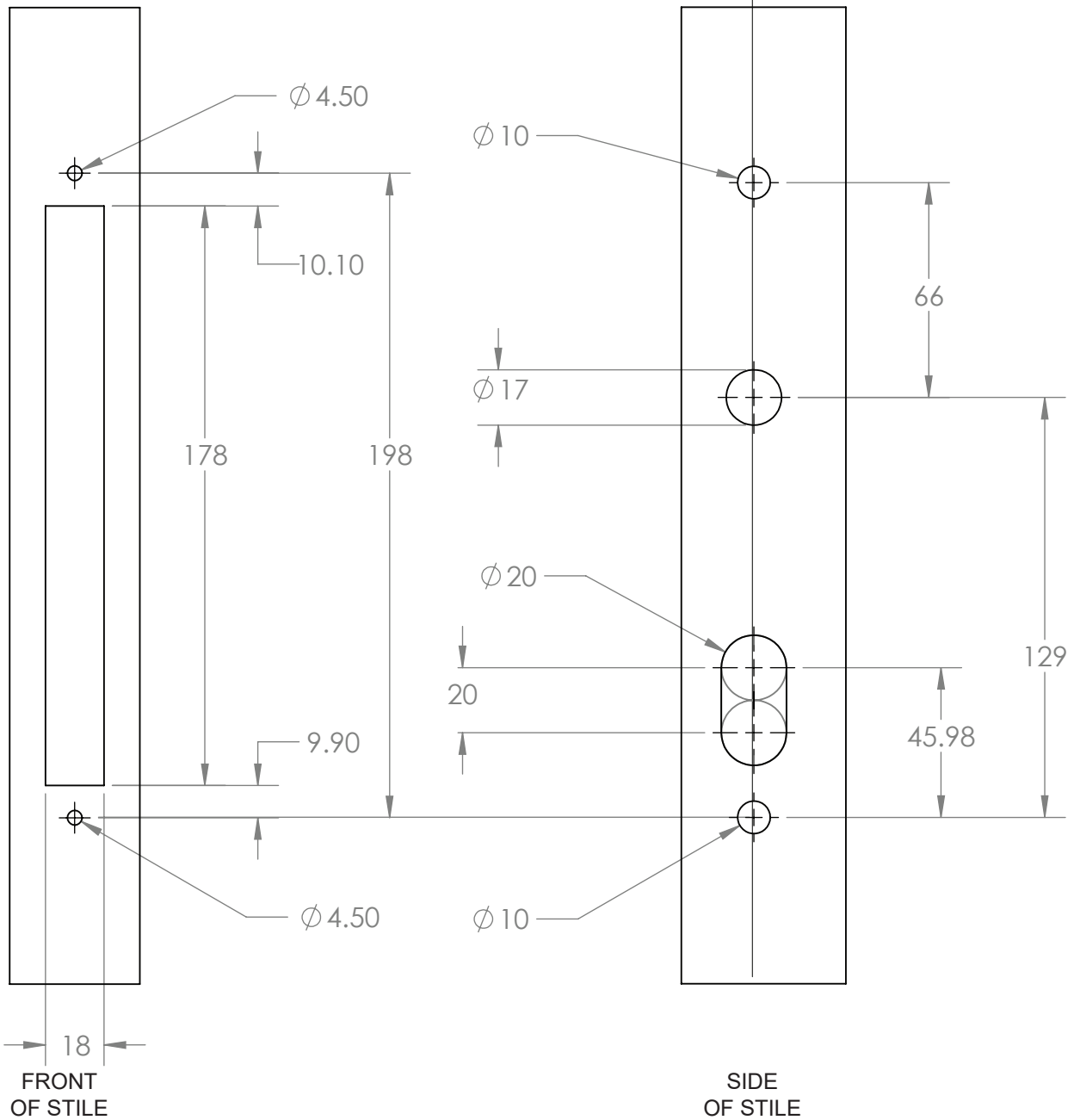
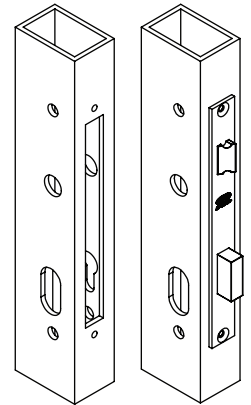
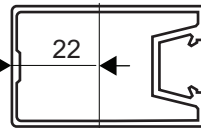
RIM MOUNT

Face Plate on Surface of Extrusion



Rim / Surface Mounted
Face Plate

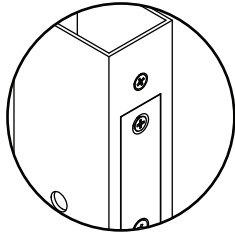
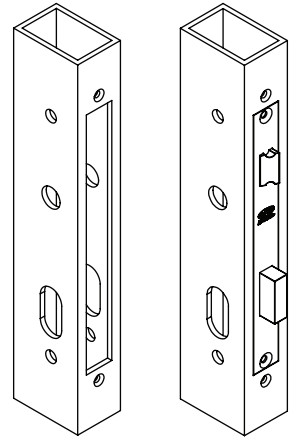
TOP OF
STILE



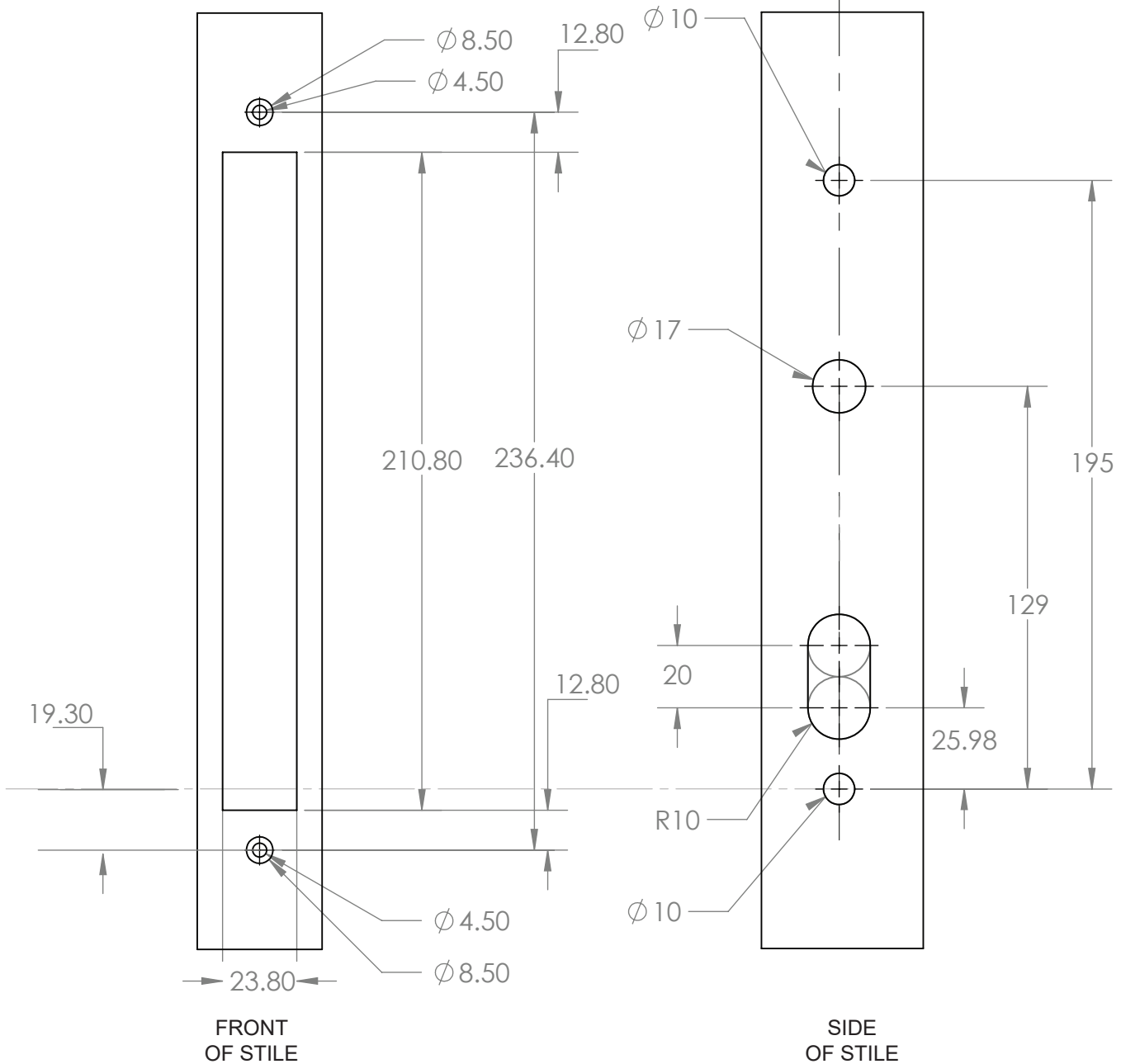
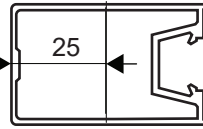
TAB MOUNT

Face Plate Flush with Extrusion*

Tab / Flush Mounted
Face Plate



TOP OF
STILE



* Note -
Requires DS1299
Aluminium Tab Fixing Kit

