



DS1297 | LIFT TO
LOCK

DS1297 | LIFT TO LOCK MULTI POINT MORTICE LOCK

The DS1297 Lift to Lock multi point mortice lock features 4 points of locking for maximum security

The Doric DS1297 Lift to Lock multiple point mortice lock is designed for aluminium hinged door applications. Branding 4 points of locking the DS1297 offers maximum security as the vertical locking bolts lock into the head and sill of the door frame

Simply lifting the handle "throws" the horizontal stainless steel projections bolt and the top and bottom vertical locking rods. By rotating the key, the lock is then deadlocked.

PRODUCT DETAILS

BACKSET	30mm/40mm
SPINDLE TO CYLINDER BARREL PITCH	85mm
SPINDLE TYPE	8mm Square
LATCH PROJECTS	13mm
BOLT THROW	20mm
VERTICAL SHOOT BOLT ACTUATOR THROW	20mm
LOCKBODY FINISH	SS Faceplate
CLYINDER TYPE	DS196NSK/DS200NSK - Floating Cam Security Door Type Cylinder

ADVANTAGES



4 Points of locking by engaging handle and lifting up



Day latching function - Ability to secure lock from inside without key locking when snib furniture set is chosen



Improved installation and serviceability with a "pull and twist" reversible latch bolt and ability to remove lockbody while rod connectors slide out from locking arms



Strong and robust handle furniture

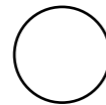
COLOURS



PC BLACK



CUSTOM COLOURS AVAILABLE ON REQUEST



PC WHITE



STAINLESS STEEL



PC SILVER

OPERATION



TESTING

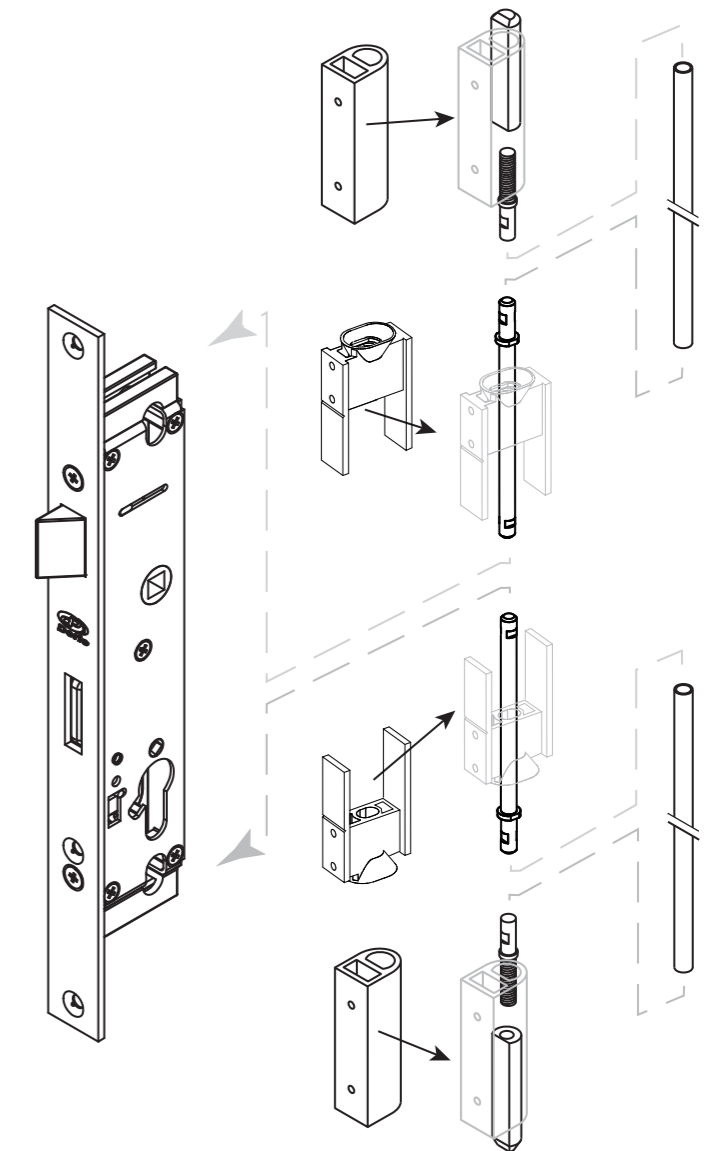


Performance tested to 100,000 cycles



Tested at NATA accredited facility

TECHNICAL DRAWING



HOW TO ORDER

Select one from each category

CODE	FURNITURE PLATE	LEVER	CYLINDER	KEYING	STRIKE	VERTICAL SHOOT BOLT KIT	MOUNT
DS1297	1500=SS no snib 1504=SS w/snib 1600=PC no snib 1604=PC w/snib	5=Swan 6=Tumut	196=62mm 200=70mm	KA KD 96###	S=27mm lip M=34mm lip L=72mm lip X=no strike	0=No Kit 1=Kit	Rim Tab

INNOVATORS

OF HARDWARE FOR WINDOWS AND DOORS

SYDNEY

38 Redfern St,
Wetherill Park
Sydney, NSW 2164
Australia
Ph: +61 2 9609 2555
www.doric.com.au

AUCKLAND

26/C Triton Drive,
Albany, North Shore,
New Zealand 0632
Auckland
Ph: +64 9 415 5535
www.doricnz.co.nz

KUALA LUMPUR

7 Jalan Bulan U5/170
Bandar Pinggiran Subang,
40150 Shah Alam
Selangor, Malaysia
Ph: +60 3 7845 5017
www.doric.com.my



DS1297 | LIFT TO
LOCK