



DS2075 | HINGED BARRIER
SCREEN DOOR LOCK

DS2075 | HINGED BARRIER SCREEN DOOR LOCK

ADVANTAGES

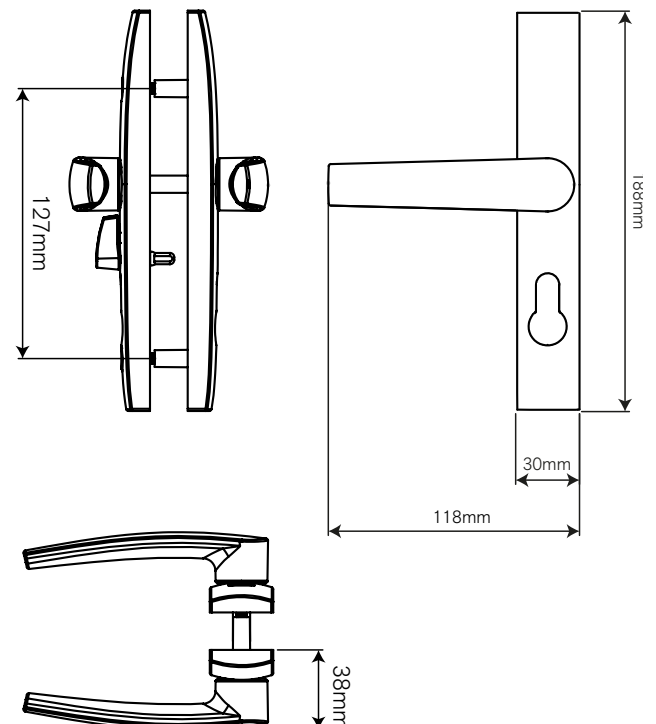
- Non handed furniture - suits left handed and right handed doors
- Fits industry standard cut outs
- Zinc diecast lock mechanism and furniture
- Inside snib
- Accepts Doric Euro profile lazy cam cylinder
- Suit standard 20mm door thickness
- Tested and exceeds Australian and New Zealand AS4145 standard
- Optional DS2079 multipoint kit available

PRODUCT DETAILS

APPLICATION	Suits hinged aluminium barrier screen doors
MATERIAL	Die cast zinc lock body
FINISHES	Powdercoat
FIXINGS	Included



DIMENSIONS



HOW TO ORDER

LOCK	FINISH
MDS2075	Satin Black

CYLINDER OPTIONS

CODE	
DS196NSK	5 Pin C4
DS198	6 Wafer

DS2079 | SLAVE LOCKS

3 point kit for DS2075 Hinged Barrier door lock consists of 2 slaves, 2 rods & saddle. The DS2079 suits all standard industry cut outs and can easily be retrofitted to existing openings.

PRODUCT DETAILS

APPLICATION	Suits DS2075
MATERIAL	Zinc and Stainless steel
FINISHES	Powdercoat Black
FIXINGS	Included
INCLUSIONS	Pack includes slaves, keepers and all fixings

HOW TO ORDER

LOCK

MDS2079



INNOVATORS

OF HARDWARE FOR WINDOWS AND DOORS

DS2075_V1.2-29.05.2020

SYDNEY

38 Redfern St,
Wetherill Park
Sydney, NSW 2164
Australia
Ph: +61 2 9609 2555
www.doric.com.au

AUCKLAND

26/C Triton Drive,
Albany, North Shore,
New Zealand 0632
Auckland
Ph: +64 9 415 5535
www.doricnz.co.nz

KUALA LUMPUR

No.17 Jalan 51/203A,
Kawasan Perindustrian Tiong Nam,
Seksyen 51, 46050 Petaling Jaya,
Selangor, Malaysia
Ph: +603 777 33 628
www.doric.com.my



DS2075 | HINGED BARRIER
SCREEN DOOR LOCK