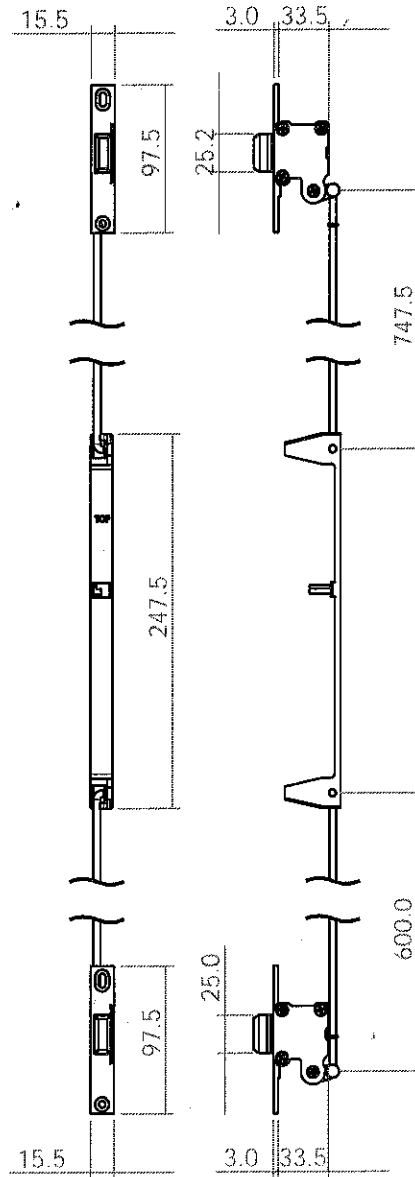




ABOVE THE CENTRE LINE



BELOW THE CENTRE LINE

Unspecified Radii = 0.50mm

 <p>Tolerances Standard Tolerances As Shown Below Unless Specified Otherwise</p> <p>Nominal ±0.25 1 Decimal ±0.10 2 Decimal ±0.05</p>	Material:		Title:		
	Finish:		Scale: 1:5	Date: -	No. Sheets: sheet 1 of 1
	Mass (grams): 378.7		Designed: -		Detailed: -
	COPYRIGHT: THIS DRAWING & DESIGN REMAINS THE PROPERTY OF AZUMA DESIGN				
 <p>A Z U M A Design</p> <p>A 4</p>					