



DS2210 | SLIDING BARRIER
SCREEN DOOR LOCK

DS2210 | SLIDING BARRIER SCREEN DOOR LOCK

ADVANTAGES

- Suits either Left or Right hand closing sliding doors
- Parrot beak deadlock
- Key deadlock from both sides
- Self latching
- Key overrides snib operation
- Accepts Doric Euro profile lazy cam cylinder locks and compatible with other cylinders
- Optional DS2269 Multi Point kit available
- Zinc diecast furniture and locking mechanisms
- Tested & exceeds Australian and New Zealand AS4145 standard

PRODUCT DETAILS

APPLICATION	Suits sliding aluminium barrier screen doors
MATERIAL	Zinc
FINISHES	Powdercoat
FIXINGS	Included



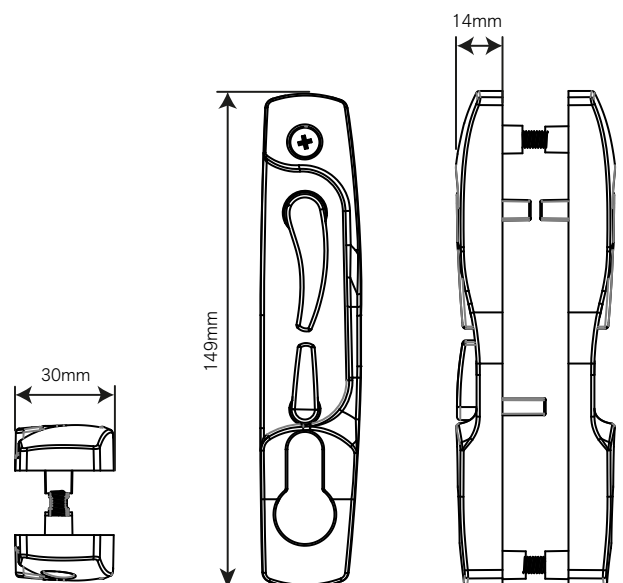
HOW TO ORDER

LOCK	FINISH
MDS2210	Satin Black

CYLINDER OPTIONS

CODE	DETAIL
DS196NSK	5 Pin C4
DS198	6 Wafer

DIMENSIONS



DS2269 | SLAVE LOCKS

3 point kit for the DS2210 Sliding Barrier door lock consists of 2 slaves, 1 rod & accessories.

The DS2269 suits all standard industry cut outs and can easily be retrofitted to existing openings.

PRODUCT DETAILS

APPLICATION	Suits DS2210
MATERIAL	Zinc and stainless steel
FINISHES	Powdercoat Black
FIXINGS	Included
INCLUSIONS	Pack includes slaves, keepers and all fixings

HOW TO ORDER

LOCK

MDS2269



DS2269 3 Point Kit



INNOVATORS

OF HARDWARE FOR WINDOWS AND DOORS

DS2210_V1.1-05.05.2020

SYDNEY

38 Redfern St,
Wetherill Park
Sydney, NSW 2164
Australia
Ph: +61 2 9609 2555
www.doric.com.au

AUCKLAND

26/C Triton Drive,
Albany, North Shore,
New Zealand 0632
Auckland
Ph: +64 9 415 5535
www.doricnz.co.nz

KUALA LUMPUR

No.17 Jalan 51/203A,
Kawasan Perindustrian Tiong Nam,
Seksyen 51, 46050 Petaling Jaya,
Selangor, Malaysia
Ph: +603 777 33 628
www.doric.com.my



DS2210 | SLIDING BARRIER
SCREEN DOOR LOCK