

# DS2269 3 Point Lock Installation Instructions

(To suit DS2210 Sliding Screen Door Lock)

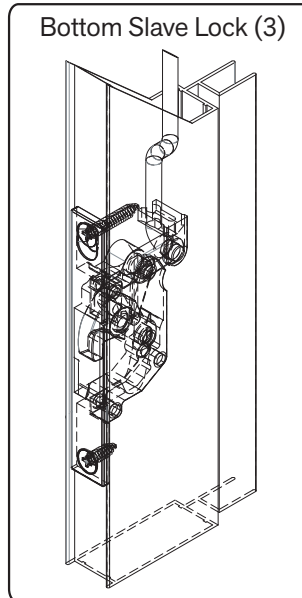
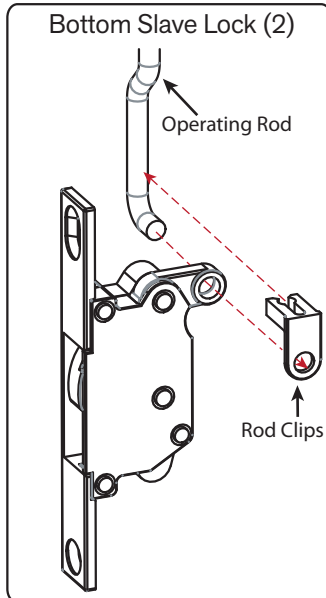
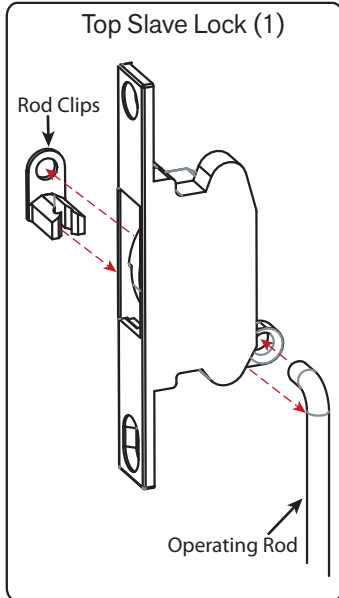


1. Both sides of the door stile must be cut to dimensions given. (See page 2).

## Fitting top and bottom locks to rods

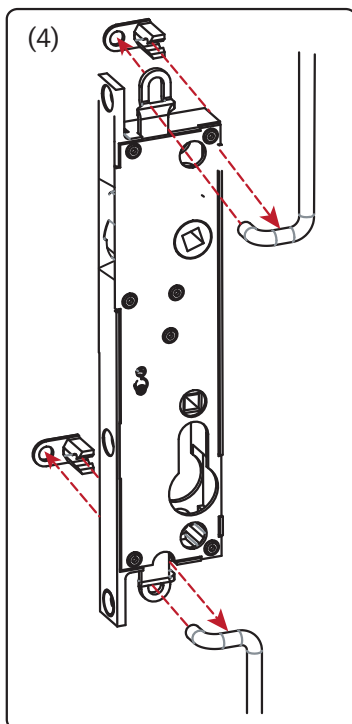
2. Connect top and bottom slave locks to the operating rods. Fit rod clips as shown (Image 2).

3. Feed the top and bottom operating rods fitted with top and bottom slave locks through their respective cutouts. Shorter Rod through the top cutout and longer rod through the bottom cut out. Do not fully insert slave locks into cutouts.



## Fitting Centre lock and operation rod

4. Partly insert the centre lock into the centre cutout & ensure the lock is in the unlocked position by using a small screw driver to depress the internal locking mechanism in the cylinder hole until rod operators are fully retracted.



5. With the centre lock in an unlocked position (i.e. rod operators fully retracted), connect the top rod to the centre lock. Fit rod clips as shown (Image 4). Connect the bottom rod to the centre lock.

6. Fully insert centre lock into cut out. Secure centre lock with two 12mm countersink self tapping screws supplied.

7. Fully insert the slave locks and secure with 12mm countersink self tapping screws.

