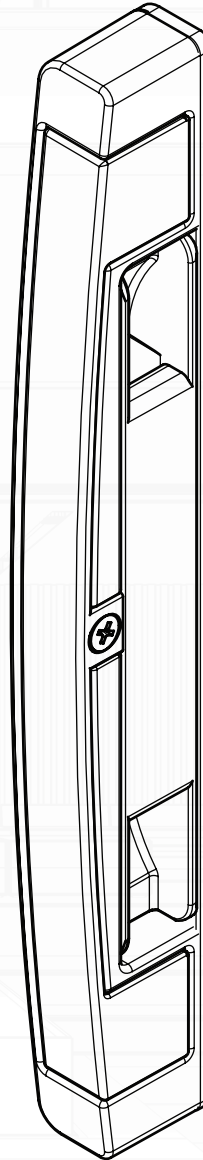


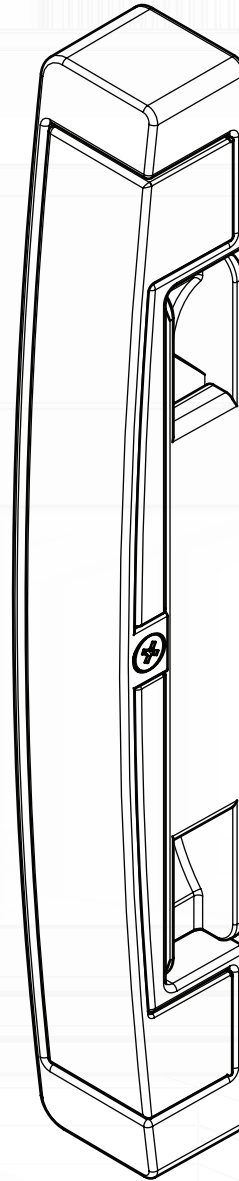


INSTALLATION GUIDE

DS3006



DS3006W



DS3006
DS3006W

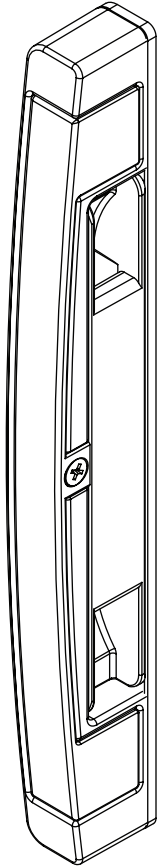
v1.1 - 08/02/2022

**TWO POINT UNIVERSAL STRIKE
SLIDING DOOR KEEPER**

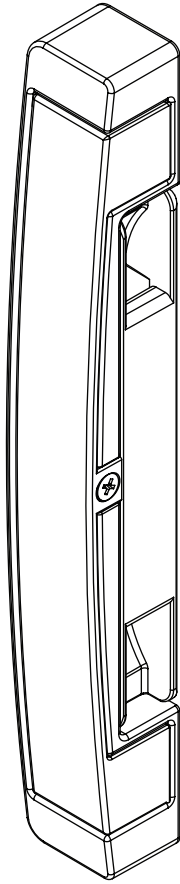
Head office:
38 Redfern St
Wetherill Park NSW 2164
Australia

Ph: 1300 132 389
Fax: 1300 652 292
sales@doric.com.au
www.doric.com.au

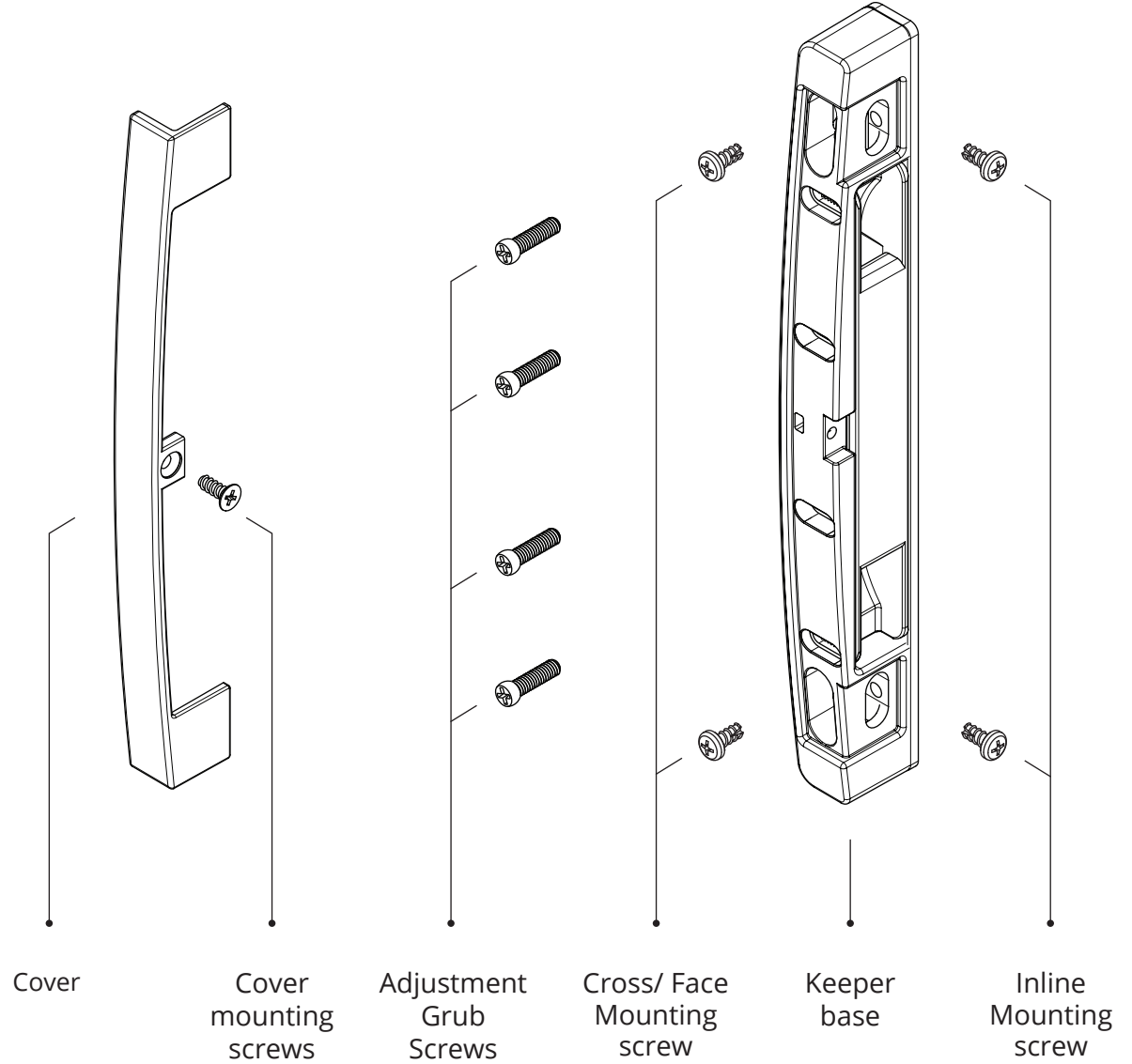


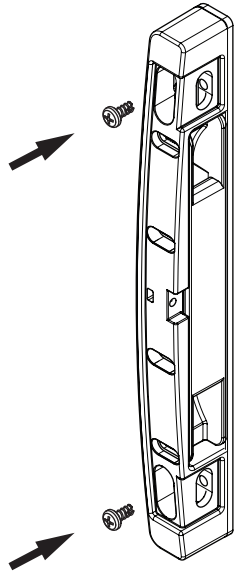


DS3006
Two Point
Universal Strike



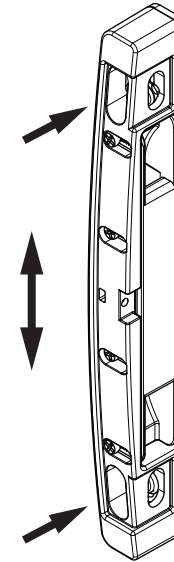
DS3006W
Wide Two Point
Universal Strike





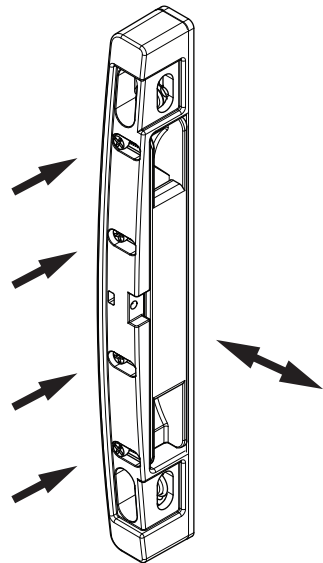
1. Placing Keeper

Install the Keeper base, secured loosely using the Cross/ Face fixing holes with the mounting screws provided.
Do not tighten the screws yet.



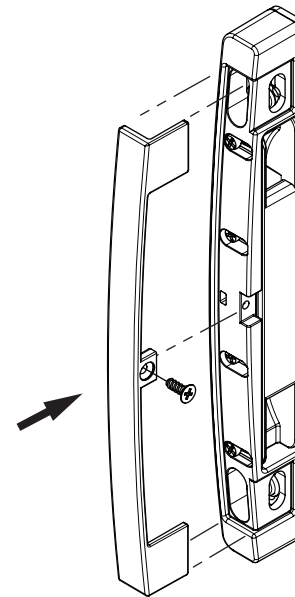
2. Vertical Adjustment

Adjust the Keeper base vertically until the correct position is found in relation to the door lock.
The keeper base offers adjustment up to 10mm
Now tighten the mounting screws.



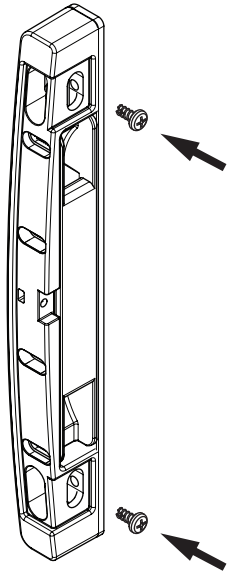
3. Horizontal Adjustment

Adjust the keeper horizontally using the four screws as shown.
The keeper base offers up to 6mm horizontal adjustment.



4. Cover Mounting

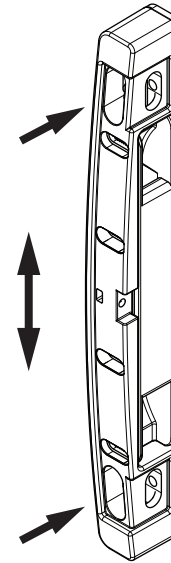
Install keeper cover using screw provided.



1. Placing Keeper

Install the Keeper base, secured loosely in the Inline fixing holes using the mounting screws provided.

Do not tighten the screws yet.

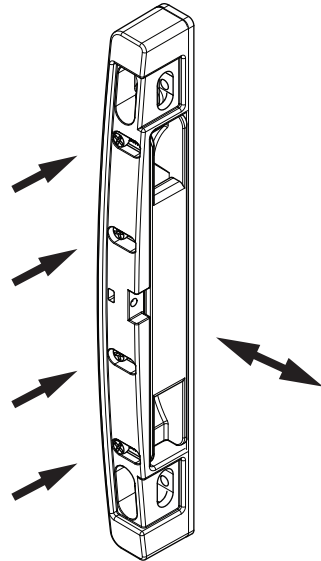


2. Vertical Adjustment

Adjust the Keeper base vertically until the correct position is found in relation to the door lock.

The keeper base offers adjustment up to 10mm

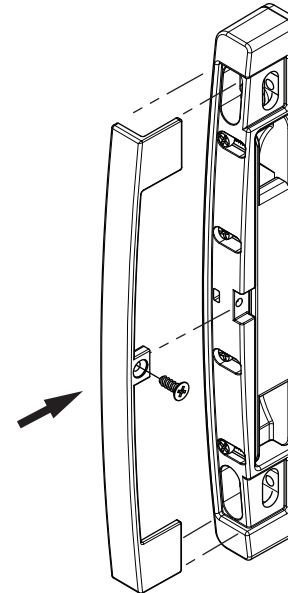
Now tighten the mounting screws.



3. Horizontal Adjustment

Adjust the keeper horizontally using the four screws as shown.

The keeper base offers up to 6mm horizontal adjustment.



4. Cover Mounting

Install keeper cover using screw provided.