



SS0001 | SECURITY STAY

SS0001 | SECURITY STAY

The SS0001 is a security stay with a polished, smooth and secure operation.

Using robust metal window stays, the SS0001 can be used on both casement and awning windows. The stay is designed to ensure windows will hold in an open position when required. Ideal of controlling open sashes in exposed or high wind areas.

Use in combination with Doric window winders, DT15 hook hinges, Doric window locks and catches.

ADVANTAGES



Designed for both residential and commercial application



Suitable for aluminium, timber and UPVC applications



Easy to install - non-handed



Polished surface to ensure a smooth operation and easy to clean

COLOURS



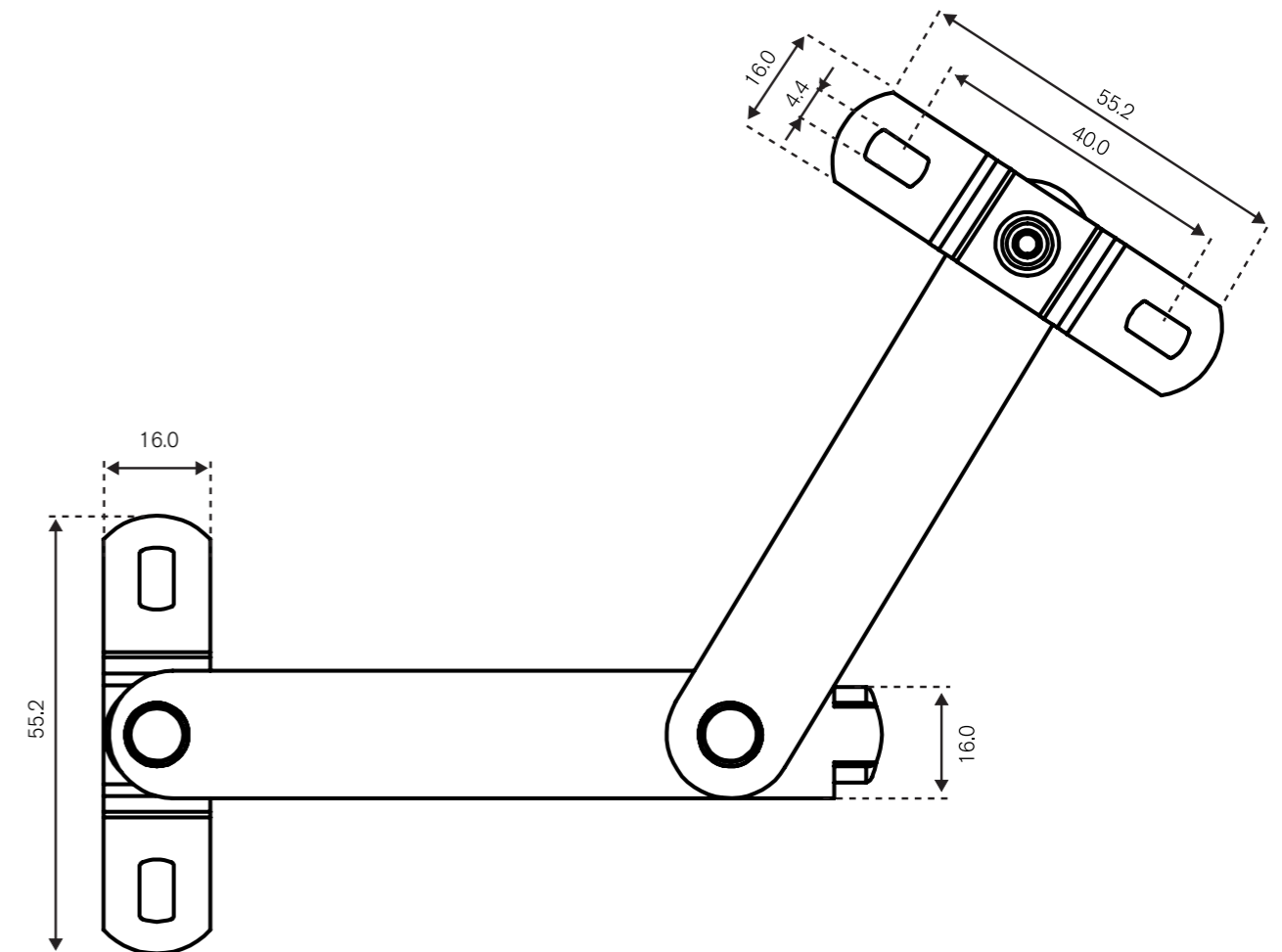
SILVER

PRODUCT DETAILS

FURNITURE MATERIAL	304 Grade Stainless Steel
PARTS	Channel & Arms
BAR THICKNESS	Channel - 1.0mm Arms - 2.0mm
BAR WIDTH	Channel - 19.5mm Arms - 16.0mm
STACK HEIGHT	13mm
OPENING ANGLE	85 degrees

HOW TO ORDER

CODE	COLOUR
SS0001	Silver



INNOVATORS

OF HARDWARE FOR WINDOWS AND DOORS

SYDNEY

38 Redfern St,
Wetherill Park
Sydney, NSW 2164
Australia
Ph: +61 2 9609 2555
www.doric.com.au

AUCKLAND

26/C Triton Drive,
Albany, North Shore,
New Zealand 0632
Auckland
Ph: +64 9 415 5535
www.doricnz.co.nz

KUALA LUMPUR

No.17 Jalan 51/203A, Kawasan
perindustrian Tiong Nam,
Seksyen 51, 46050 Petaling Jaya,
Selangor, Malaysia
Ph: +60377733628
www.doric.com.my



SS0001 | SECURITY
STAY