

DS2075 | HINGED BARRIER SCREEN DOOR LOCK

Doric's DS2075 Hinged Barrier Screen Door Locks combines industry standard protection with durable and high quality craftsmanship.

Made from a zinc die cast body with Stainless steel strikes, the DS2075 provides Doric's highest level of security for all hinged screen doors.

The optional multi point slave kit increases protection for all hinged screen doors and offers value above and beyond what is currently available in the hinged screen door market.

ADVANTAGES

- Non handed furniture - suits left handed and right handed doors
- Fits industry standard cut outs
- Zinc die cast lock mechanism and furniture
- Inside snib
- Accepts Doric Euro profile lazy cam cylinder
- Suit standard 20mm door thickness
- Tested and exceeds Australian and New Zealand AS4145 standard
- Optional DS2079 multi point slave kit available



PRODUCT DETAILS

APPLICATION	Suits hinged aluminium barrier screen doors
MATERIAL	Die cast zinc lock body
FINISHES	Powder coat
FIXINGS	Included

COLOURS



TESTING

- Tested & exceeds requirements for Australian & New Zealand AS4145 Standards

HOW TO ORDER

CODE	FINISH	CYLINDER	SLAVE KIT
MDS2075	Satin Black Pearl White Primrose	DS196NSK DS198	DS2079 (optional)

CYLINDER OPTIONS



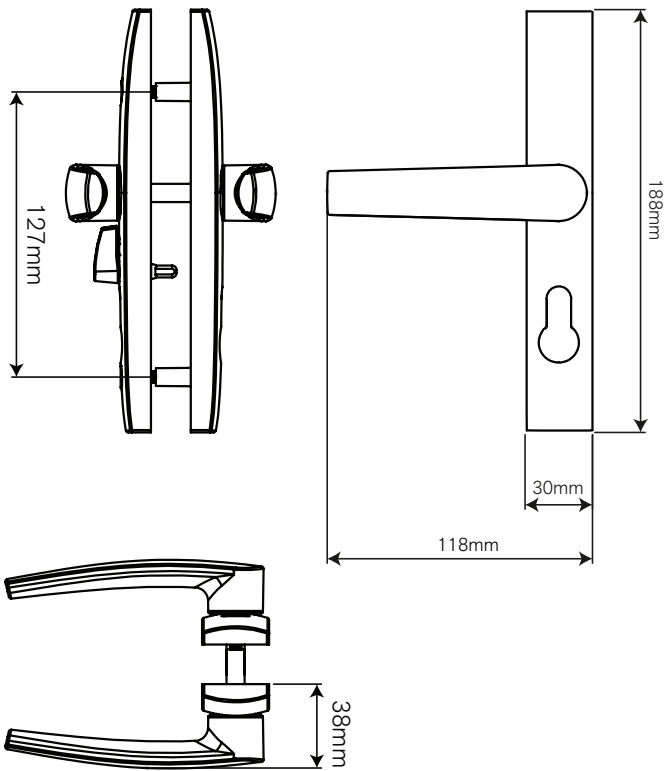
DS196NSK
Euro 62mm
5 Pin C4



DS198
Euro 46mm
6 Wafer Cylinder



DIMENSIONS



DS2079 | SLAVE LOCKS

Three point kit for DS2075 Hinged Barrier door lock consists of 2 slaves, 2 rods & saddle. The DS2079 suits all standard industry cut outs and can easily be retrofitted to existing openings.

APPLICATION	Suits DS2075
MATERIAL	Zinc and Stainless steel
FINISHES	Powder coat
INCLUSIONS	Slaves, keepers and fixings
ORDER CODE	MDS2079

