



DH114 | HEAVY DUTY
HINGE

DH114 HEAVY DUTY FAST FIX HINGE

The 130mm high Heavy Duty Fast Fix Hinge with Face Fit Flanges is arguably the most use hinge type in Australia.

This hinge is now available branded Doric and designated as the Doric DH114 and has been tested to over 250,000 cycles on a 100kg door fitted with 3 hinges.

APPLICATIONS

- Suitable for residential & commercial aluminium hinged doors
- Suitable for both centre and front edged glazing systems

INSTALLATION GUIDE

- Up to 2000 high x 900 x 100kg – 3 hinges
- Over 2000 high x 900 x 100kg – 4 hinges
- Minimum door thickness 40mm
- Recommendation that a minimum of 3 hinges be used with the top hinge located as high as possible

FINISHES

- CA - Clear Anodised
- SB - Satin Black Powder Coat

FIXING

- Heavy Duty Bi-Directional fixing
- Face Fix Locator Flange allows for faster fixing

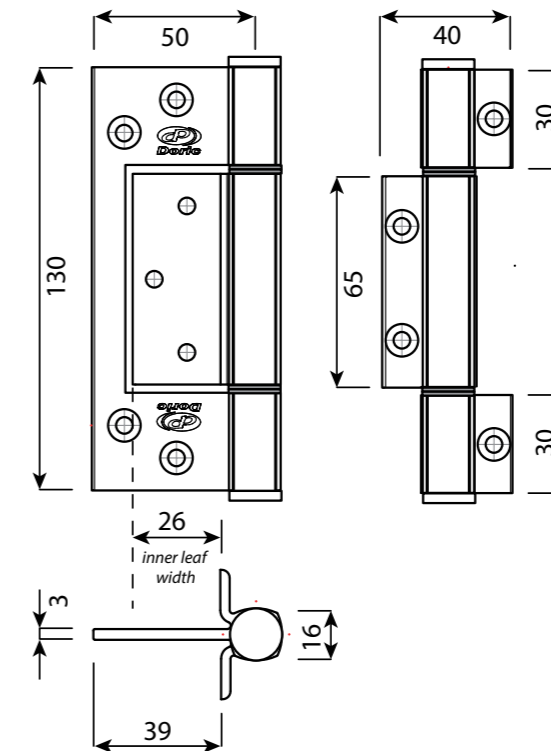
Technical Specifications	
Alloy:	6063-T5 Alloy
Pin Diameter:	6mm 304 Stainless Steel
Bushes:	Nylon
Knuckles:	Squareline -Heavy duty
Aluminium End Caps:	Interference Pressed Fit

PRODUCT CODES

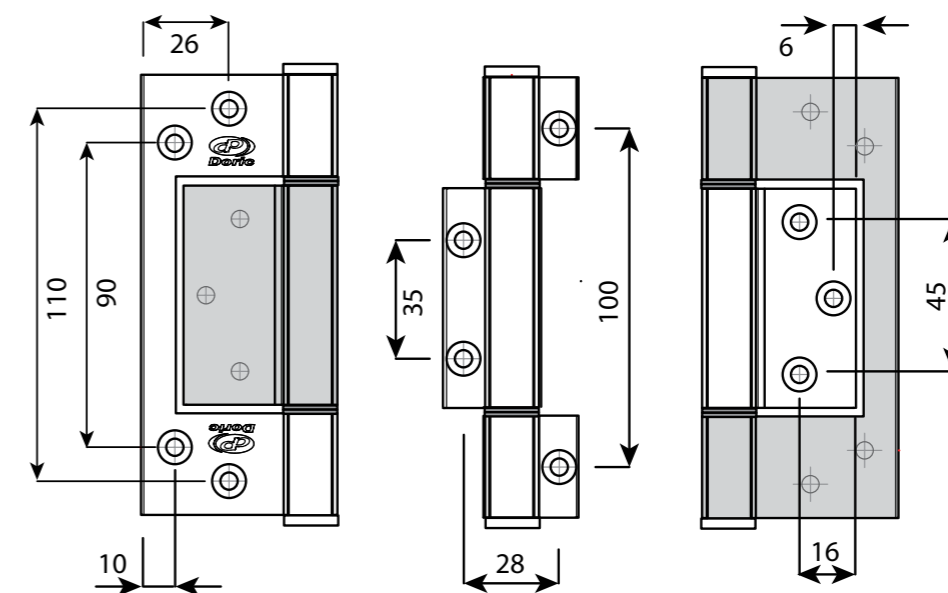
- 9046221 - DH114CA Hinge – Clear Anodised
- 9046222 - DH114SB Hinge – Satin Black Powder Coat



DH114 OVERALL DIMENSIONS



DH114 SCREW HOLE FIXING DIMENSIONS



INNOVATORS

OF HARDWARE FOR WINDOWS AND DOORS

SYDNEY

38 Redfern St,
Wetherill Park
Sydney, NSW 2164
Australia
Ph: +61 2 9609 2555
www.doric.com.au

AUCKLAND

26/C Triton Drive,
Albany, North Shore,
New Zealand 0632
Auckland
Ph: +64 9 415 5535
www.doricnz.co.nz

KUALA LUMPUR

7 Jalan Bulan U5/170
Bandar Pinggiran Subang,
40150 Shah Alam
Selangor, Malaysia
Ph: +60 3 7845 5017
www.doric.com.my



DH114 | HEAVY DUTY
HINGE