



DS250 | EURO PROFILE
HALF CYLINDER

DS250 | EURO PROFILE HALF CYLINDER

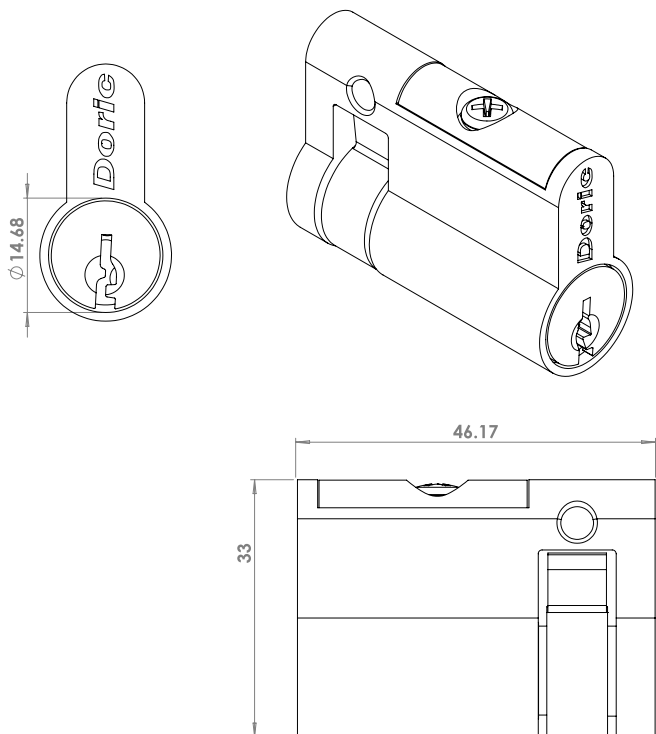
The DS250 is a half cylinder suited to both window and door fittings

The Euro Profile Half Cylinder is designed to suit a range of applications, including both door and window lock fittings. Also suits mortice locks.

The DS250 is non handed and features a 5 pin C4 key profile, fixed cam and lazy cam cylinder. Needs to lock from one side.

PRODUCT DETAILS

FINISH	Chrome plated
MATERIAL	Zinc Diecast Solid Brass plug



ADVANTAGES



Non handed cylinder



Clean and smooth operation



Easy to install and suited well to the DS2480 & DS2400 mortice lock range

COLOURS



BRIGHT CHROME

