

Fitting Guide

DN194 300mm Evolution Back-to-Back Pull Handle

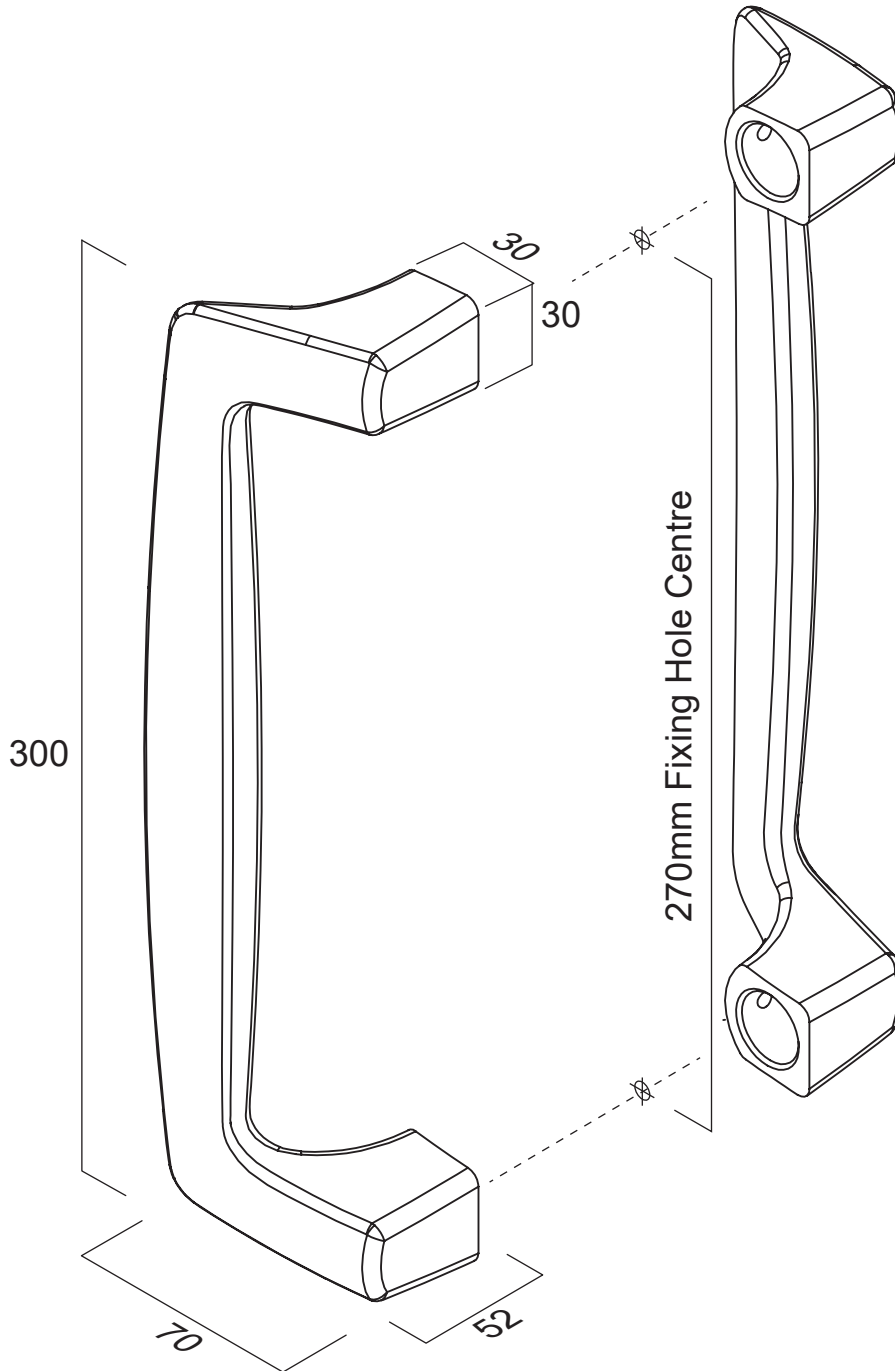
Application: Suits aluminium & timber doors

Material: Aluminium

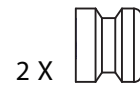
Finish: Powdercoat

Fixing: Back-to-back fixings supplied.

Centre to centre: 270mm



Accessory Pack



2 X
Mild Steel Locator



2 X
M6 x 60mm bolt



2 X
M6 x 70mm bolt



2 X
M6 x 8mm Grub Screw
(Fitted to inside pull handle)



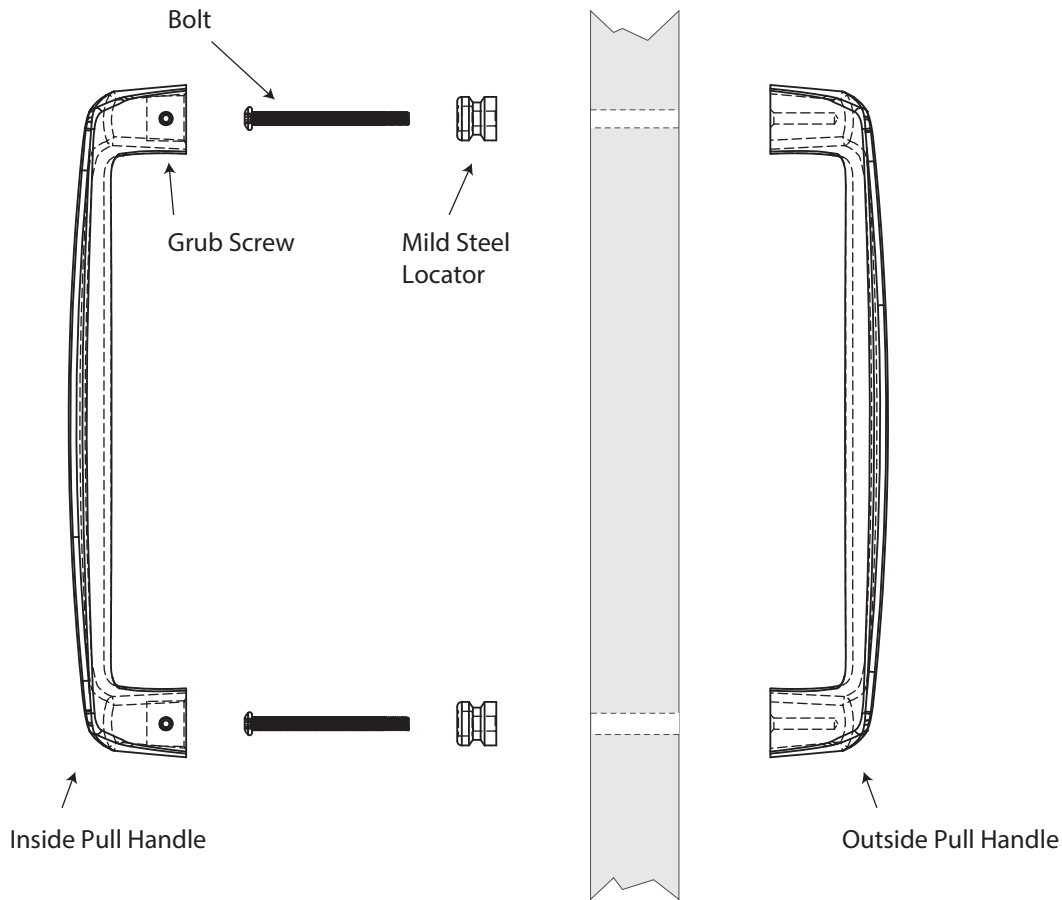
1 X
3mm Allen Key
(To suit grub screws)



1 X
4mm Allen Key
(To suit fixing screws)

INSTRUCTION SHEET

Timber or Metal Doors



The Backset (or distance from the edge of the door to the centre line of the fixing screws will normally match the backset of any existing hardware fitted to the door. Ensure the Pull Handle will not hit the door frame when the door is opened or closed. Clearance for fingers should also be considered.

1. Drill holes at required centre to center locations using a 6.6mm drill.
2. Place Mild Steel Locator on required bolt.
Insert the bolt from the inside of the door through to the outside.
3. Screw bolt protruding through the door and into the fixed thread of the Outside Pull Handle.
4. Slide the Inside Pull Handle over the inside Mild Steel Locator and hold the Inside Pull Handle tight to the face of the door while tightening the grub screws with the Allen key supplied.

NOTE: *it is important that the grub screws are firmly tightened and that the door pull is tight against the door face so that the grub screw properly engages onto the Mild Steel Locator. If vibration causes the grub screw to loosen, use a "Locktite" type material to secure grub screw.*