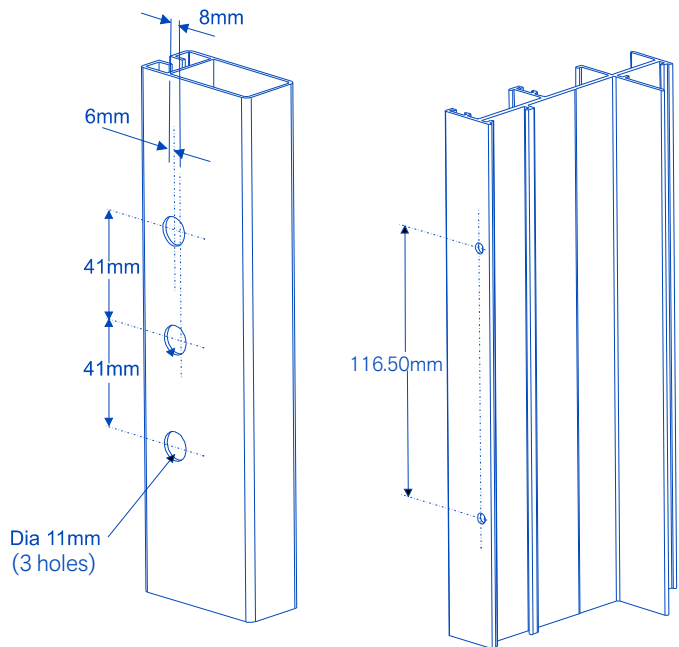


Machining Details to suit Surface Mounted Patio Door Locks with spigotted base and DS4000 Adjustable Strike



www.doric.com.au

HEAD OFFICE  
38 Redfern St  
Wetherill Park NSW 2164

Australia  
1300 132 389

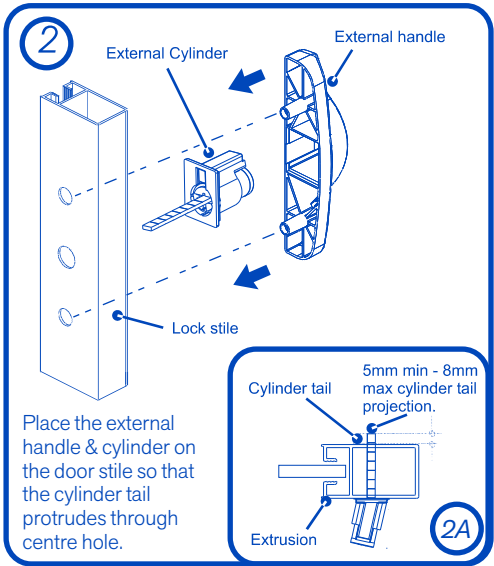
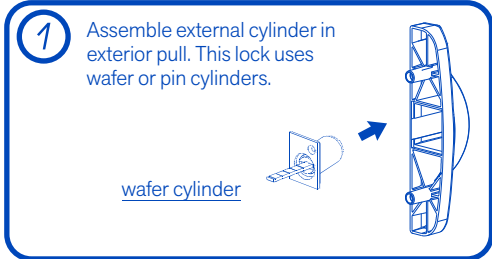
New Zealand  
+64 (9) 415 5535

Asia Pacific  
+60 (3) 7845 5017

sales@doric.com.au

Surface Mounted Patio Door Lock Fitting Instructions

*NOTE: Warranty is void if these instructions are not adhered to.*



**3**

Lock body

M5 screw

Place lock on inside of stile, aligning the centre holes for exterior cylinder tail to locate into interior cam. Fasten with 2 x M5 screws.  
NOTE: Tongue faces the door jamb.

**4**

Ensure, using external cylinder, that lever operates smoothly.  
NOTE: If the lock is tight or grinding, unassemble lock from extrusion & trim cylinder tail slightly.

**5** To use a DS4000 strike with the surface mounted lock, the jamb will need to be drilled to the size shown below. There are two types of fixings for this strike:

- Standard fixing
- Insert fixing

Details of these fixings Are shown in 'A' & 'B'

Strike

Slot

140.00

Jamb

**A1**

**5a** **Standard Fixing**

Dia. 3.5mm

8 G screw

Jamb

Using the machining details, machine holes for strike on jamb. For standard fixing, the holes must be Dia.3.5mm. Screw in place with 2 x 8G screws, but do not tighten. Close door & lock tongues into strike (A1). This will locate the strike in the correct Position on jamb. Tighten screws.

**\* Interior Covers Available**

DS910

DS920 (Zinc)

DS950

DS980

DS930

**5b** **Insert Fixing**

Drill fixing holes to Dia.6.0mm. Cross fasten with 2 x M4 fixing screws using 2 x Lock nuts. Locate strike in correct position on jamb in relation to the lock tongue. Tighten screws.

Dia.6.0mm

Jamb

Lock nut

M4 screw

Lock nut

**6**

Cylinder

Handle

Cylinder

Cam

Place internal cylinder inside interior of handle

**7** Fasten cover on internal lock with 2 x M5 CSK screws.

M5 screw

**8** Once strike is on the door jamb and lock is fully assembled, test to see if tongue engage the strike. If tongue does not engage, adjust the vertical and horizontal adjustments. Keep the strike and lock parallel.

Unlocked position

Locked position

Vertical adjustment slot

Horizontal adjustment screw

Vertical adjustment slot

Adjustable Striker

NB: Once every month, clean internal and external covers with soap and water being sure to remove any corrosive chemicals