



DS930 | WILTON

DS930 | WILTON SLIDING PATIO DOOR LOCK

Dorics's range of Sliding Patio Door Locks & Universal OEM Chassis set an industry benchmark for aesthetic appeal, corrosion resistance and reliability.

Incorporating a common lock body, designs within this range use common fixings and industry standard machining details offering fabricators the option to stock and fit multiple styles using the same processes.

ADVANTAGES



Select range of handle shapes and configurations, one Universal Chassis System



Flexible security options with all-in-one latch and deadlock model



Polesium™ offering high corrosion resistance



Adaptable symmetrical design for left/right either side application



Doric's cartridge cylinder system makes re-keying or cylinder changes easier and faster for better security



Doric One Key™ solution allows all locks to be keyed alike



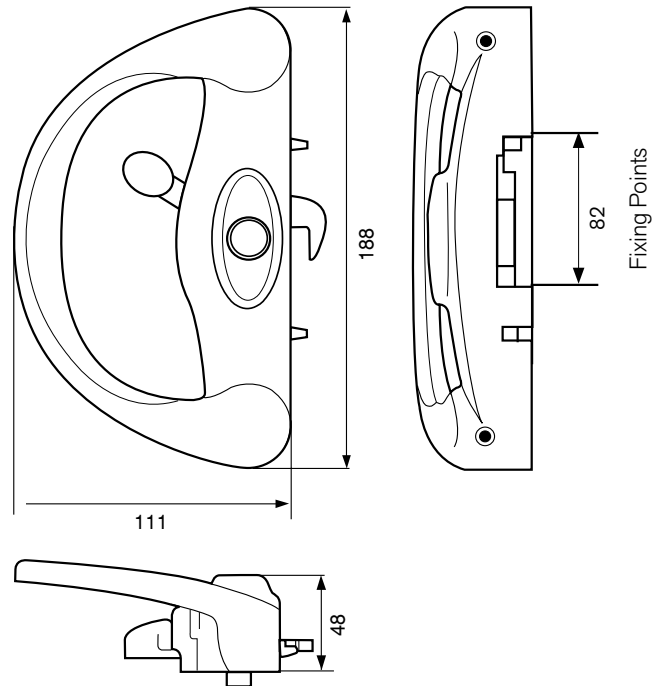
HOW TO ORDER

LOCKSET OPTIONS	FINISH	CHASSIS MATERIAL	EXTERNAL HANDLE	CYLINDER	KEEPER
Double Lockset (Int & Ext cyl) Lock Set (Ext cyl)	Mill or Powdercoat	Polesium or Metacom	DS890	DS155 C4 Pin DS154 6 Disc	DS5001
Latch set (no cyl) Lock set (Int cyl)	Mill or Powdercoat	Polesium or Metacom	DS891	-	DS5001
Dummy (no cyl)	Mill or Powdercoat	Polesium or Metacom	DS891	-	-

DS930 | WILTON SLIDING PATIO DOOR LOCK

PRODUCT DETAILS

MATERIAL	Polesium™
FINISHES	Mill Finish or Powdercoat
CYLINDER	C4 pin and D6 disc cylinders are available Disc cylinders standard and One Key™ compatible
KEEPER	DS5001 is standard
PRODUCT CODES	DS930 Double Lock Set <i>Int. & Ext. cylinders</i> DS931 Latch Set <i>No cylinders</i> DS933 Lock Set <i>Ext. cylinder only</i> DS935 Lock Set <i>Int. cylinder only</i> DS938 Dummy Set <i>No cylinders</i>
PACKER	DS933 - 4.5mm clear handle packer or DS933 - 1.5mm clear handle packer
CHASSIS	Universal DS60



TESTING



Meets AWA ICP-002-720 hour corrosion resistant test



Suits Industry Standard 82mm door preparation

EXTERNAL PULLS



Layback

Available in Zinc, Stainless Steel & Polesium™

DS892 Keyed Polesium™
DS893 Non-Keyed Polesium™
DS890 Keyed Zinc
DS891 Non-Keyed Zinc
DS890/2 Keyed Stainless Steel
DS891/2 Non-Keyed Stainless Steel



Morticed Pull

Available in Polesium™

DS888 Keyed Polesium™
DS889 Non-Keyed Polesium™



Lower Profile Layback

Available in Metacom™

DS894 Keyed Metacom™
DS895 Non-Keyed Metacom™



Curve

Available in Polesium™

DS840 Keyed Polesium™
DS841 Non-Keyed Polesium™



Swinton Layback

Available Metacom™

DS896 Keyed Metacom™
DS897 Non-Keyed Metacom™



Springvale Plate

Available in Metacom™ and Stainless Steel

DS844 Keyed Metacom™
DS845 Non-Keyed Metacom™
DS844/2 Keyed Stainless Steel
DS845/2 Non-Keyed Stainless Steel

INNOVATORS

OF HARDWARE FOR WINDOWS AND DOORS

SYDNEY

38 Redfern St,
Wetherill Park
Sydney, NSW 2164
Australia

Ph: +61 2 9609 2555

www.doric.com.au

AUCKLAND

26/C Triton Drive,
Albany, North Shore,
New Zealand 0632
Auckland

Ph: +64 9 415 5535

www.doricnz.co.nz

KUALA LUMPUR

No.17 Jalan 51/203A, Kawasan
perindustrian Tiong Nam,
Seksyen 51, 46050 Petaling Jaya,
Selangor, Malaysia

Ph: +60377733628

www.doric.com.my



DS930 | WILTON