



---

**EVOLUTION**

SLIDING DOOR &  
MORTICE LOCK RANGE

# EVOLUTION | SLIDING DOOR & MORTICE LOCK RANGE

**Designed by Doric to be aesthetically pleasing while tough enough to withstand the rigours of daily living.**

The Evolution range for residential sliding door suites features a range of products which has been designed with easy use and simple installation in mind. The range can be kitted to your requirements or available each to be ordered standalone.

The DN194 Aluminium D pull handle is available in a variety of standard powder coat colours with non-standard colours available on request. Choose either a BTB (Back to back) interior/exterior handle set or single side interior which can be kitted with an exterior DS575 flush pull for applications where an exterior screen door are installed.

The DN1290 Aluminium mortice lock body, available in 30mm or 40 mm back set, features twin counteracting beaks to engage an all-metal catch plate providing resistance to jimmying and restrains the door against being lifted externally from its rails. A catch plate drilling jig is also included for exact placement and quick & simple fitting.

A choice of either the Standard keeper or the optional Slimline keeper, and the DS1255 square Escutcheon, completes the range.

The DN1290 mortice lock body can also be kitted with other Doric pull handles such as the DN197 Black or Stainless steel Pull Handle set or choose from one of the many other Pull handles available in the Doric Range.

## PRODUCT DETAILS

<b>FURNITURE MATERIAL</b>	Aluminium
<b>FURNITURE AVAILABLE</b>	<i>Kitted as per customer requires:</i> Evolution D pull handles - BTB Set, Evolution D pull handle - Single-sided, Evolution Flush Pull - BTB Set Evolution Flush Pull - Single-sided
<b>CYLINDER</b>	Std Euro cylinder, DS197 keys 1 to 10 (Deadlock), DS202 (Turn snib) keys 1- 3, DS250 (Half) keys 1-10

CODE	PULL HANDLE	COLOUR
DN194	Evolution single sided D Pull handle 270mm	Powder coat to suit
DN194	Evolution BTB D Pull handle set 270mm	Satin Black or Powder coat
CODE	LOCK BODY OPTIONS	COLOUR
DN1290	Lock body with 30mm back set & Stainless steel face plate	-
DN1290	Lock body with 40mm back set & Stainless steel face plate	-
CODE	ACCESSORIES	COLOUR
DS1255 DS1255SS	Escutcheon set	Powder coat or Stainless steel
DS575 DS575SB	Flush pull	Powder coat or Satin Black
CODE	CYLINDERS	COLOUR
DS197	70mm Euro double cylinder fixed cam S/C Key numbers 1-10	-
DS202	70mm (6pin) cylinder & turn Euro cylinder Key numbers 1-3	-
DS250	Euro Profile Half Cylinder keys 1-10 (keyed only)	-
DS1272	60mm Euro Profile 1-10 (keyed only)	-

## COLOURS



BLACK  
POWDER  
COATED



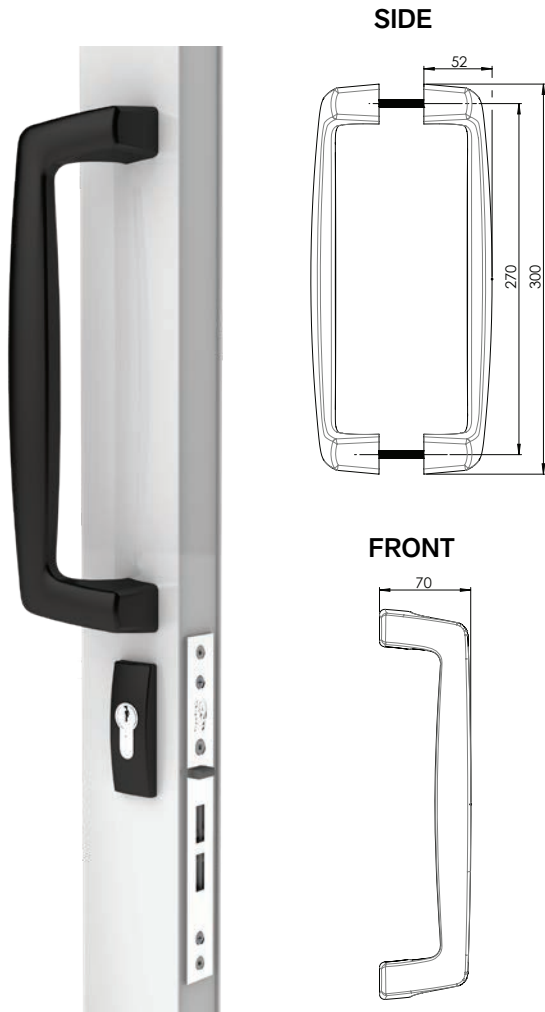
CUSTOM COLOURS  
ON REQUEST

## TESTING

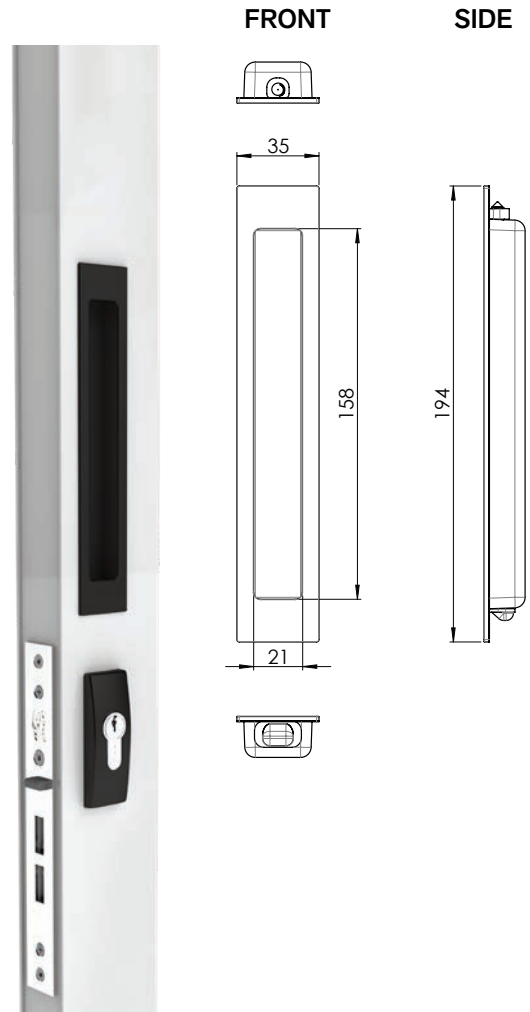


DN1290 Performance tested to 50,000 cycles

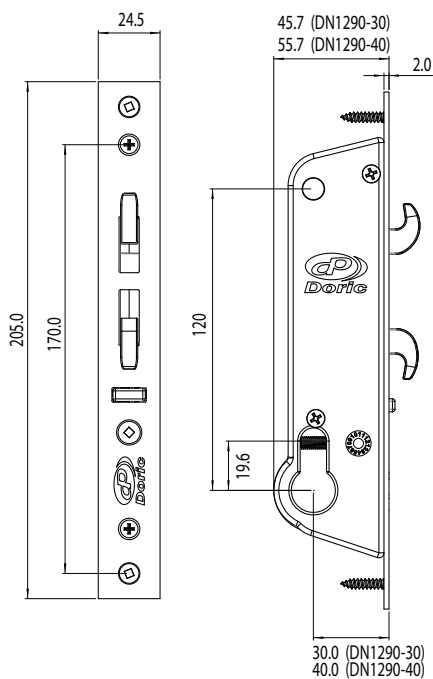
**D Pull**  
DN194



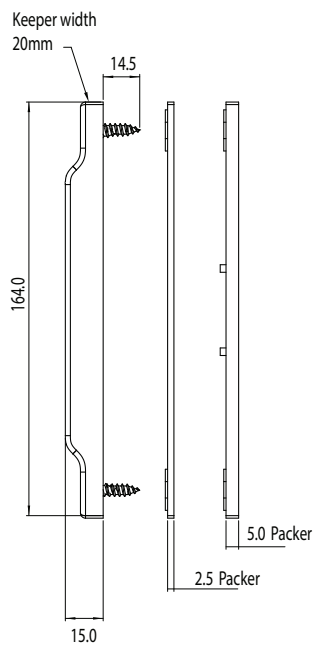
**Flush Pull**  
DS575



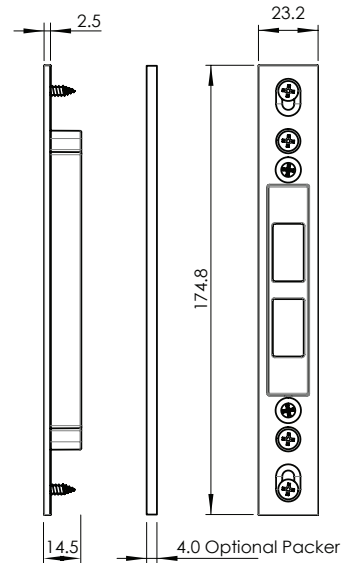
**Mortice Lock**  
DN1290/30 & DN1290/40



**Standard Keeper**



**Slimline Keeper**  
DN1291



# INNOVATORS

OF HARDWARE FOR WINDOWS AND DOORS

---

EVOLUTION\_COMPLETE\_RANGEV1.2-16.06.2020

## SYDNEY

38 Redfern St,  
Wetherill Park  
Sydney, NSW 2164  
Australia  
Ph: +61 2 9609 2555  
[www.doric.com.au](http://www.doric.com.au)

## AUCKLAND

26/C Triton Drive,  
Albany, North Shore,  
Auckland 0632  
New Zealand  
Ph: +64 9 415 5535  
[www.doric.co.nz](http://www.doric.co.nz)

## KUALA LUMPUR

No.17 Jalan 51/203A,  
Kawasan Perindustrian Tiong Nam,  
Seksyen 51, 46050 Petaling Jaya,  
Selangor, Malaysia  
Ph: +603 777 33 628  
[www.doric.com.my](http://www.doric.com.my)



---

**EVOLUTION** | SLIDING DOOR & MORTICE LOCK RANGE