



---

# DR2000 | ROLLER SERIES

# DR2000 | ROLLER SERIES

The DR2000 Series are high performance rollers suited for residential aluminium & timber door applications.

Manufactured with an engineered polymer outer carriage housing and passivated zinc inner carriage, this adjustable roller offers superior corrosion resistance and durability.

The DR2000 roller provides "ZZ" bearing performance rating and is moulded with a high performance engineered polymer that gives superior load rating and cycle testing.



## PRODUCT DETAILS

<b>OUTER CARRIAGE</b>	Engineered polymer
<b>INNER CARRIAGE</b>	Cast zinc passivated
<b>TYRE</b>	DR 71 high performance polymer with "ZZ" bearing and dust seal.
<b>FINISH AVAILABLE</b>	Black
<b>MAX LOAD CAPACITY</b>	100kg per carriage
<b>CYCLE RATING</b>	Tested to 30,000 cycles

## FEATURES

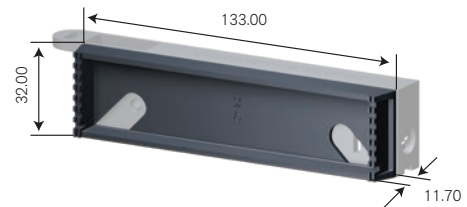
- High performance roller with Doric's Ryvelin tyre
- Roller ZZ bearing with ground precision bearing and dust seal for corrosion free operation
- Passivated metal inner carriage
- Recommended for larger sliding doors up to 200kg
- Stainless steel adjusting screw and nut

## ADVANTAGES

- Outer carriage and internal assembly manufactured to withstand corrosive environments
- Fully adjustable carriage gives 10mm height adjustment

### DR402 | Packer

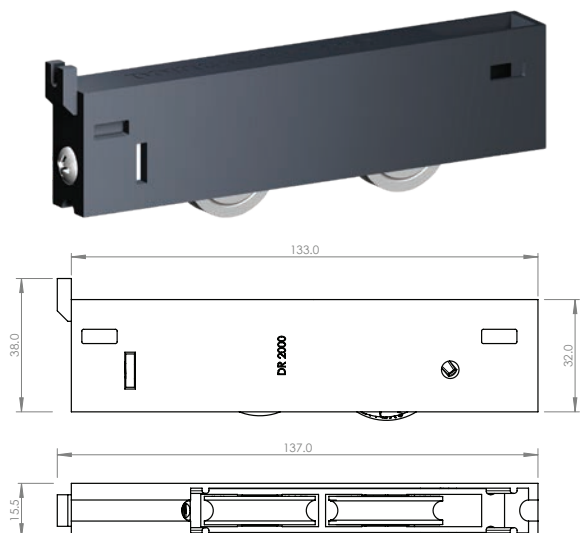
<b>SUITS</b>	DR2000 & DR2009
<b>MATERIAL</b>	Engineered polymer
<b>ADDS</b>	11.7mm per packer
<b>PRODUCT CODE</b>	9042187



## DR2000 | HEAVY DUTY DOUBLE ADJUSTABLE DOOR ROLLER

<b>CARRIAGE</b>	Engineered polymer outer Cast zinc passivated carriage
<b>APPLICATION</b>	Suitable for Aluminium Sliding Doors

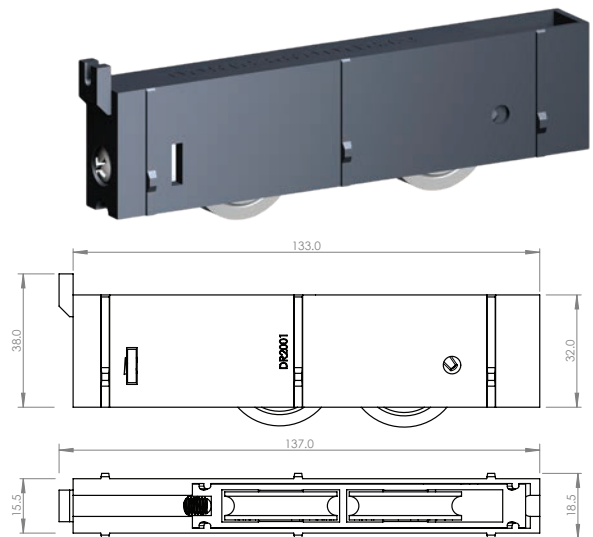
ROLLER	WHEEL	WEIGHT RATING	ORDER CODE
Standard	DR71	100kg max load	9041707
Optional	DR2	40kg max load	9036637



## DR2001 | HEAVY DUTY DOUBLE ADJUSTABLE DOOR ROLLER

<b>CARRIAGE</b>	Engineered polymer outer Cast zinc passivated carriage
<b>APPLICATION</b>	Suitable for Aluminium Sliding Doors

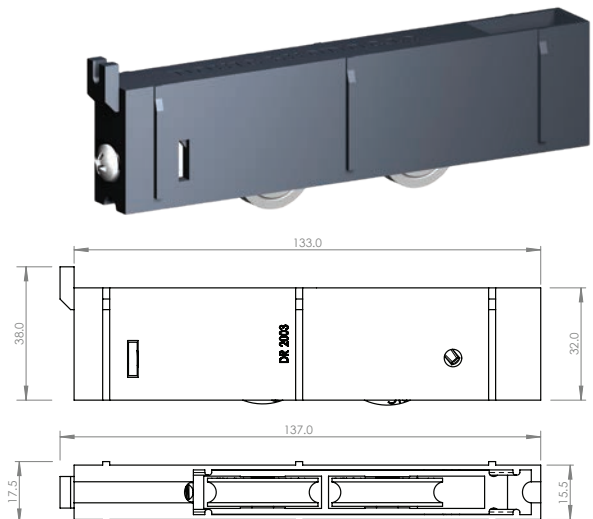
ROLLER	WHEEL	WEIGHT RATING	ORDER CODE
Standard	DR71	100kg max load	9033996
Optional	DR2	40kg max load	9033994



## DR2003 | HEAVY DUTY DOUBLE ADJUSTABLE DOOR ROLLER

<b>CARRIAGE</b>	Engineered polymer outer Cast zinc passivated carriage
<b>APPLICATION</b>	Suitable for Aluminium Sliding Doors

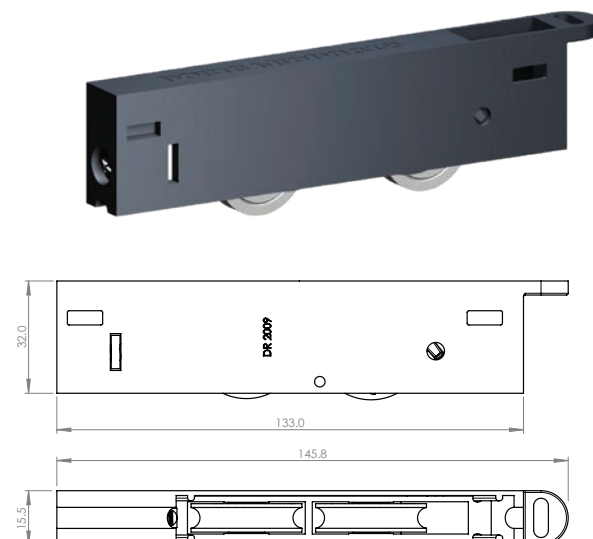
ROLLER	WHEEL	WEIGHT RATING	ORDER CODE
Standard	DR71	100kg max load	9034035



## DR2009 | HEAVY DUTY DOUBLE TIMBER DOOR ROLLER

<b>CARRIAGE</b>	Engineered polymer outer Cast zinc passivated carriage
<b>APPLICATION</b>	Suitable for Timber Sliding Doors

ROLLER	WHEEL	WEIGHT RATING	ORDER CODE
Standard	DR71	100kg max load	9040457



# INNOVATORS

OF HARDWARE FOR WINDOWS AND DOORS

---

DR2000\_SERIES\_ROLLERS v1.2-08.04.2021

## **SYDNEY**

38 Redfern St,  
Wetherill Park  
Sydney, NSW 2164  
Australia  
Ph: +61 2 9609 2555  
[www.doric.com.au](http://www.doric.com.au)

## **AUCKLAND**

26/C Triton Drive,  
Albany, North Shore,  
Auckland 0632  
New Zealand  
Ph: +64 9 415 5535  
[www.doric.co.nz](http://www.doric.co.nz)

## **KUALA LUMPUR**

No.17 Jalan 51/203A,  
Kawasan Perindustrian Tiong Nam,  
Seksyen 51, 46050 Petaling Jaya,  
Selangor, Malaysia  
Ph: +603 777 33 628  
[www.doric.com.my](http://www.doric.com.my)



---

# DR2000 | ROLLER SERIES