

FLUSH PULLS

FOR SLIDING DOORS & WINDOWS

The Doric Flush Pull Range offers architecturally styled low profile design to suit aluminium sliding door frames, as well as suitable sliding windows. It offers a near flush surface, raising only 2mm from the extrusion.

Currently available in two sizes, the flush pulls are manufactured from aluminium and powder coated to offer a superior longevity for environments by the coast or in-land.

ADVANTAGES



High corrosion
resistance



Low profile
style



Non-handed
design

PRODUCT DETAILS

MATERIALS	Aluminium
FINISHES	Powder coat
SIZES	DS575: 195mm x 35mm DS578: 240mm x 35mm
APPLICATION	Aluminium sliding doors and windows



DS575
195mm Flush Pull

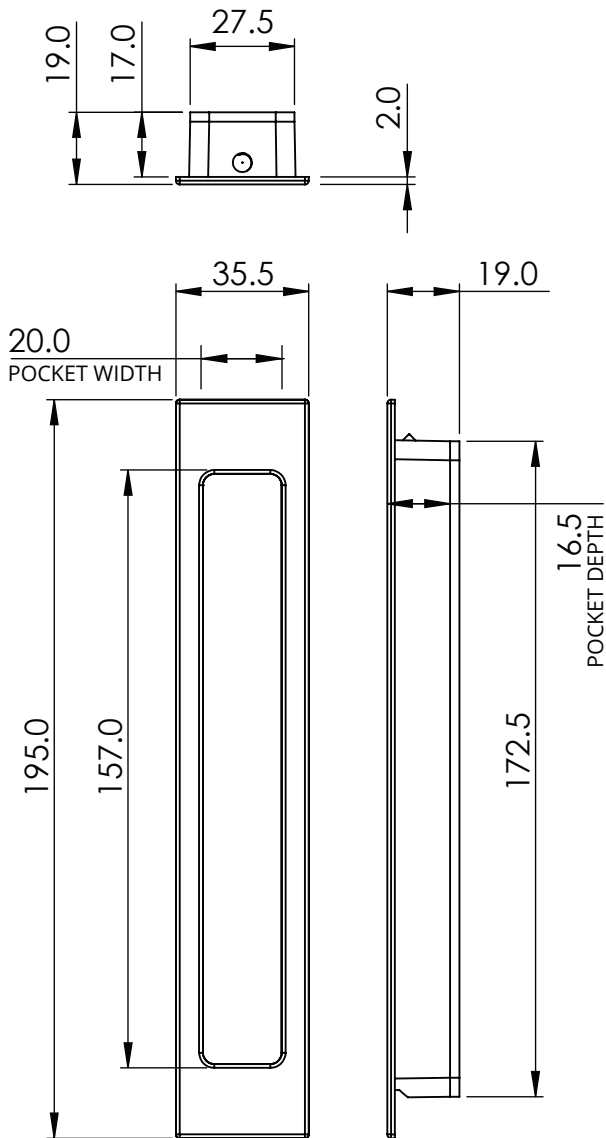


DS578
240mm Flush Pull

HOW TO ORDER

INTERNAL	EXTERNAL	COLOUR	ESCUTCHEON	LOCKBODY	CYLINDER	KEEPER
DS575 195mm Flush Pull	-	Powder coat	-	-	-	-
DS578 240mm Flush Pull	-	Powder coat	-	-	-	-
DS575 195mm Flush Pull	DS575 Flush Pull	Powder coat	DS1253	DS1290/30	DS1266	DN1293
DS578 240mm Flush Pull	DS578 Flush Pull	Powder coat	DS1253SS (Stainless steel)	DS1290/40	DS1272	DN1291

DS575
195mm Flush Pull



DS578
240mm Flush Pull

