



DS1010A

ARCHER
SLIDING PATIO DOOR LOCK

DS1010A | ARCHER SLIDING PATIO DOOR LOCK

The DS1010A encompasses a modern & sleek aesthetic to suit a variety of sliding doors.

The DS1010A Archer Sliding Patio Door Lock accompanied with Doric's Advant Chassis offers users the highest quality single point lock adhering to industry standards. The use of common fixings plus standard machining details ensures this lock can be easily retrofitted and is compatible in a variety of configurations of sliding doors.

The stylish narrow style handle offers a contemporary look and the maximised offset allows for an ergonomic and comfortable grip.

ADVANTAGES



Flexible security options with all-in-one latch and deadlock model



Polesium™ offering high corrosion resistance



Adaptable design to suit left or right sliding configurations.



Doric's cartridge cylinder system makes re-keying or cylinder change uncomplicated for better security



Doric One Key™ solution allows all locks to be keyed alike



Anti lift pins prevent the door from being lifted to unlock the door

TESTING



CYCLE TEST

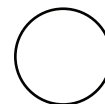
Advant Chassis tested and surpassed 50,000 cycles test in line with ICP 002



COLOURS



BLACK



WHITE



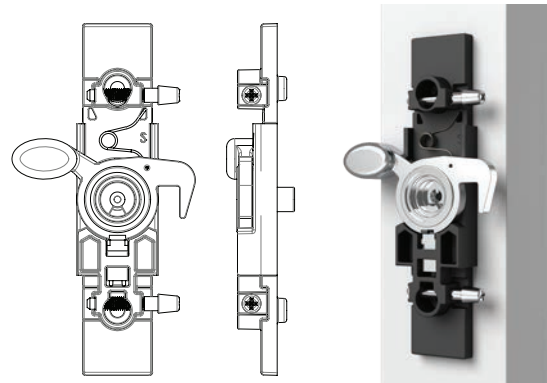
SILVER



CUSTOM POWDER COAT AVAILABLE

ADVANT | CHASSIS

The Advant is the latest single point sliding door lock chassis.

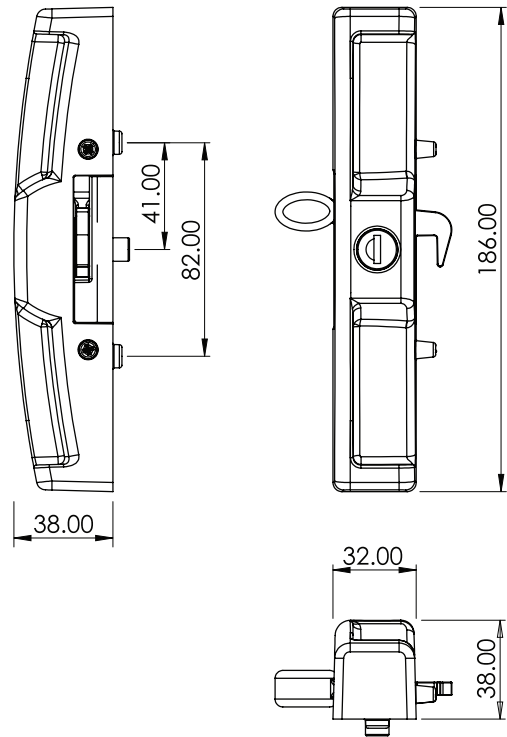


Incorporating a common lock body, that suits a range of Polesium™ handle covers, the chassis is versatile, reliable, corrosion resistant and affordable.

PRODUCT DETAILS

MATERIAL	Polesium™ Handle & Infill
FINISH AVAILABLE	Mill Finish or Powder coat
CYLINDER	C4 pin and D6 disc cylinders are available Disc cylinders standard and One Key™ compatible
KEEPER	DS5010 (standard)
PRODUCT CODES	DS1010A Double Lock Set <i>Int. & Ext. cylinders</i> DS1011A Latch Set <i>No cylinders</i> DS1012A Lock Set <i>Ext. cylinder only</i> DS1015A Lock Set <i>Int. cylinder only</i> DS1018A Dummy Set <i>No cylinders</i>
CHASSIS	Advant (Polesium™ or Metacom™ chassis material available)

DIMENSIONS



OPTIONS

EXTERIOR HANDLE

DS890 Metacom™ DS891 Metacom™ DS892 Polesium™ DS893 Polesium™



KEEPER

DS5010



HOW TO ORDER

LOCKSET OPTIONS	FINISH	CHASSIS MATERIAL	EXTERNAL HANDLE	CYLINDER	KEEPER
DS1010A Double Lock Set <i>(Int. & Ext. cylinders)</i>	Mill or Powder coat	Polesium™ or Metacom™	DS890 or DS892	C4 Pin D6 Disc	DS5010 or DS5011
DS1011A Latch Set <i>(No cylinders)</i>	Mill or Powder coat	Polesium™ or Metacom™	DS891 or DS893	Cyl. Plug	DS5010 or DS5011
DS1012A Lock Set <i>(Ext. cylinders)</i>	Mill or Powder coat	Polesium™ or Metacom™	DS890 or DS892	C4 Pin D6 Disc	DS5010 or DS5011
DS1015A Lock Set <i>(Int. cylinders)</i>	Mill or Powder coat	Polesium™ or Metacom™	DS891 or DS893	C4 Pin D6 Disc	DS5010 or DS5011
DS1018A Dummy Set <i>(No cylinders)</i>	Mill or Powder coat	Polesium™ or Metacom™	DS891 or DS893	Cyl. Plug	-

INNOVATORS

OF HARDWARE FOR WINDOWS AND DOORS

DS1010A.v1.2-22.06.2022

SYDNEY

38 Redfern St,
Wetherill Park
Sydney, NSW 2164
Australia
Ph: +61 2 9609 2555
www.doric.com.au

AUCKLAND

26/C Triton Drive,
Albany, North Shore,
Auckland 0632
New Zealand
Ph: +64 9 415 5535
www.doric.co.nz

KUALA LUMPUR

No.17 Jalan 51/203A,
Kawasan Perindustrian Tiong Nam,
Seksyen 51, 46050 Petaling Jaya,
Selangor, Malaysia
Ph: +603 777 33 628
www.doric.com.my



DS1010A

ARCHER
SLIDING PATIO DOOR LOCK