



DS2800

LIFT TO LOCK MORTICE LOCKBODY

The DS2800 Lift to Lock Mortice Lockbody is Doric's latest hardware innovation following on the market-leading Doric DS1297 lockbody and has been designed specifically for aluminium hinged door applications.

Below is a highlight of enhanced features.

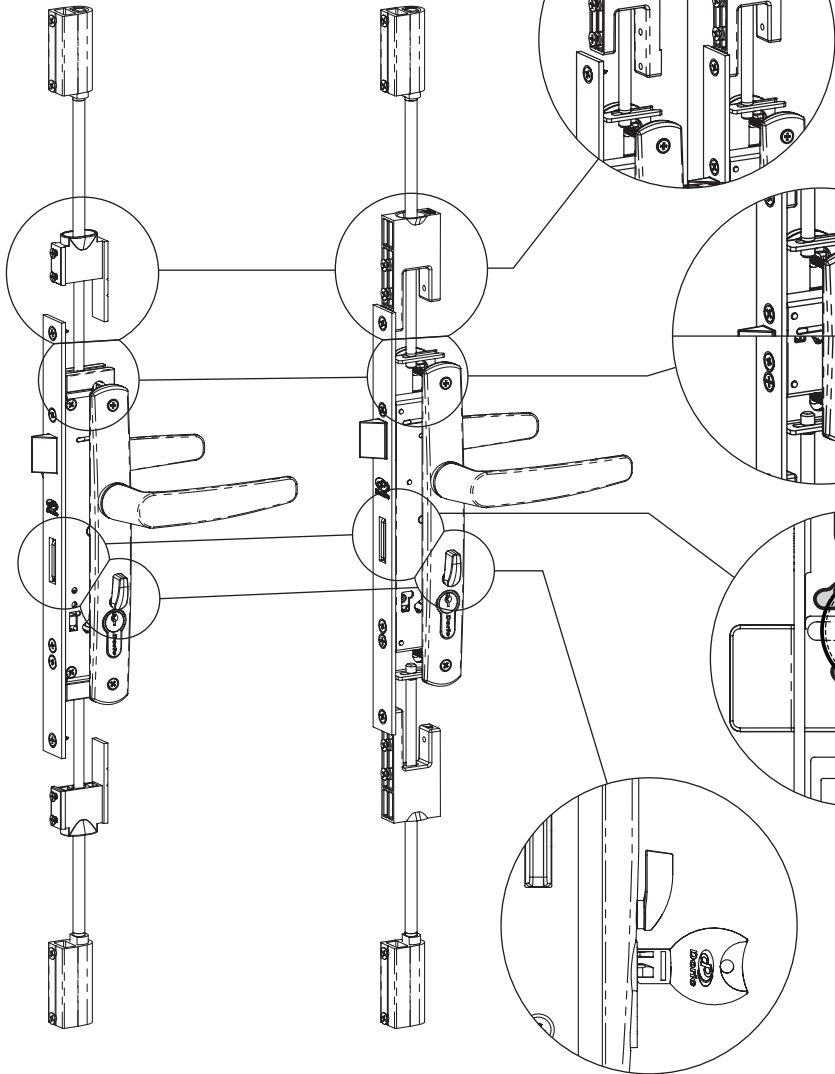


(Previous)

DS1297
LIFT TO LOCK

(NEW)

DS2800
LIFT TO LOCK



INSTALLATION

Redesigned Mid Guide mounting system improves ease of installation and removes the need for additional tab mounting components.

STRENGTH

Changed from Zinc Die-Cast to Pressed Sheet Steel construction to improve ultimate strength and manufacturability.

ADDED SECURITY

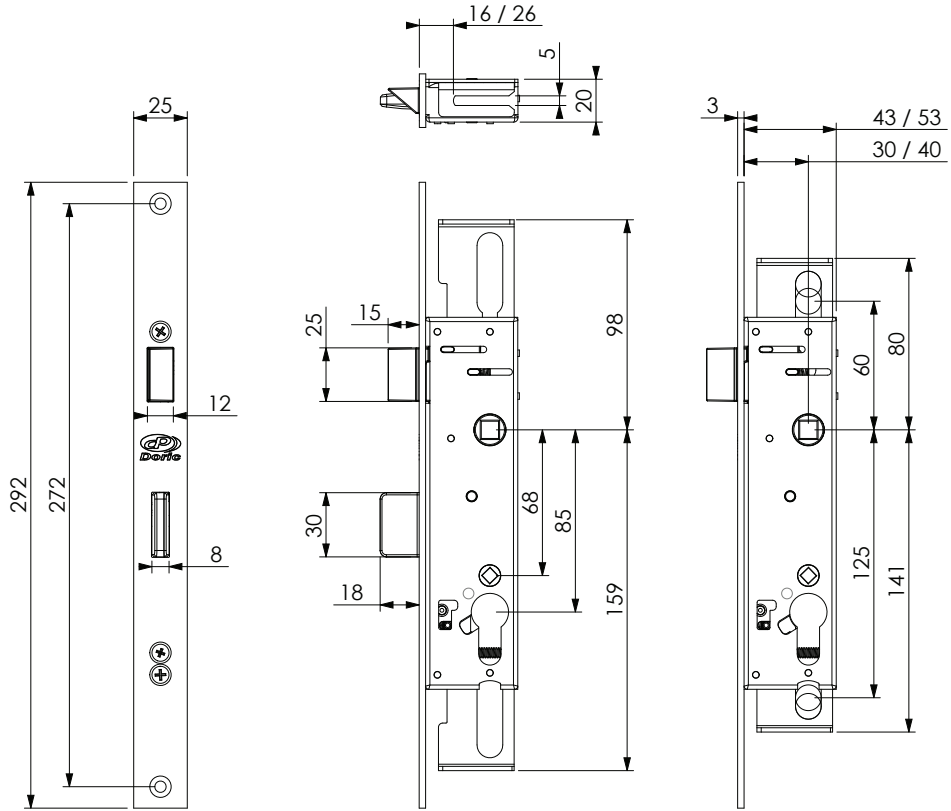
DS2800 now includes an 'Over-Camming' mechanism to ensure that the Bolt and the Rods cannot be depressed or retracted without Handle operation.

SNIB POSITION

New Zinc Die-Cast Snib now allows Powder Coat Colour Matching to the Furniture and with increased clearance between the Snib and Cylinder, non-standard keys can now be used.



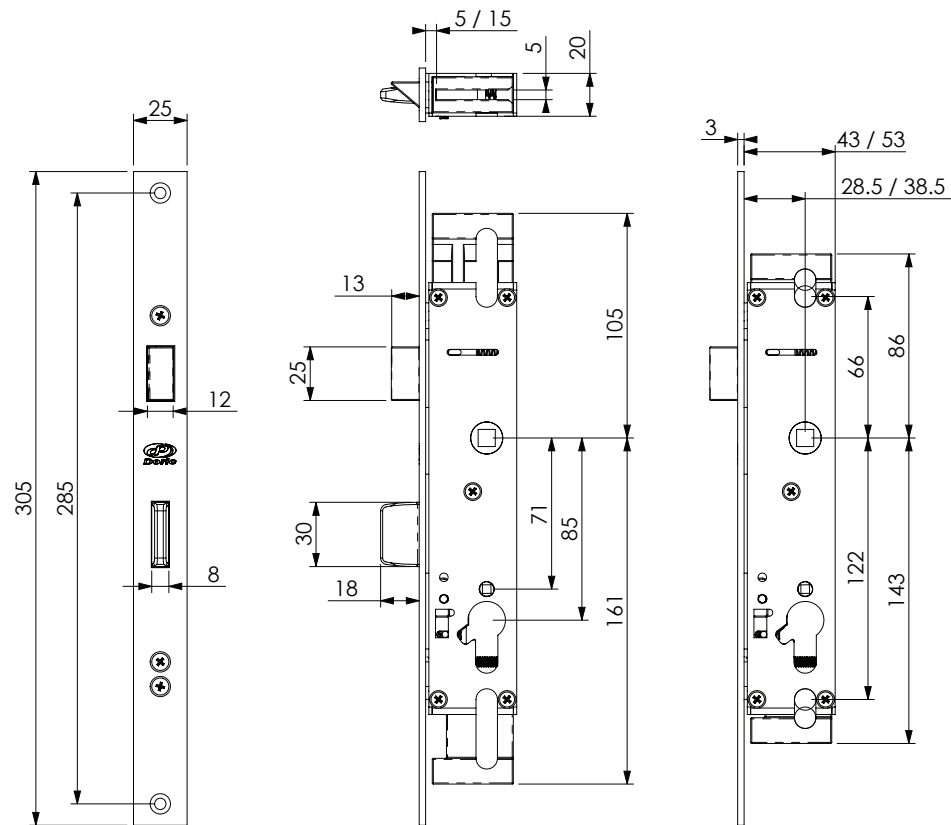
DS2800



LOCKING BOLT ENGAGED

LOCKING BOLT DISENGAGED

DS1297



DS2800

LIFT TO LOCK
MORTICE LOCKBODY