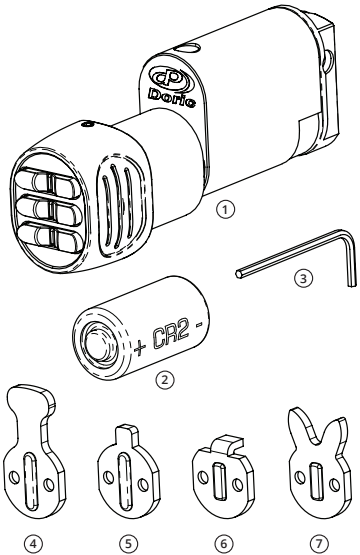


QUICK START GUIDE: INSTALLATION

Box Contents

- ① x1 EPEC Oval Cylinder Body
- ② x1 CR2 Battery (included)
- ③ x1 Allen Key
- ④ x1 #1-Cam ⑥ x1 #5-Cam
- ⑤ x1 #2-Cam ⑦ x1 RE-Cam

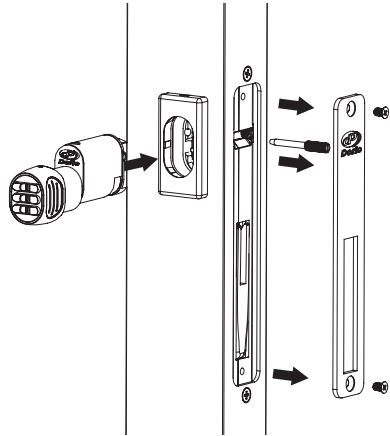


Note: To change the cylinder cam, remove the two cam fixing screws at the back of the cylinder, swap the cam, and refasten the screws.

1 Insert Cylinder Body

Remove the Lock Body Face Plate via the two fixing screws. Remove the Cylinder fixing screw that aligns with side of the door where the cylinder is to be installed.

Insert the EPEC cylinder.

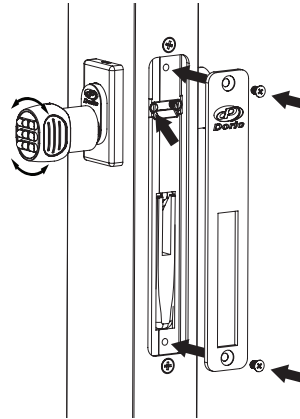


2 Fasten Cylinder

Insert the cylinder fixing screw and fasten.

Return the Face Plate to the Lock Body and fasten via the two Face Plate fixing screws.

Check the actuator spins freely.

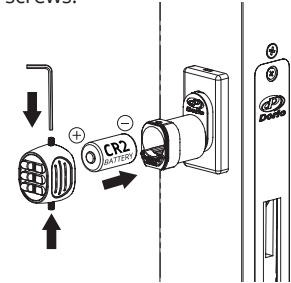


3 Insert Battery and Actuator

Loosen the 2 x grub screws on the Actuator with 3 turns using the supplied Allen key and remove the Actuator.

Insert the CR2 Battery ensuring the positive battery terminal is visible after insertion.

Replace keypad, aligning the connection pins and battery terminal. If the keypad is not inserting easily then double check the orientation is correct. Keep pressure on the keypad while fastening the two grub screws.



4 Test Cylinder

Close the door and enter the factory default Master PIN.



Standard Orientation:
Enter six 1's
(1)(1)(1)(1)(1)(1)



Reverse Orientation:
Enter six 6's
(6)(6)(6)(6)(6)(6)

Once the correct 6-digit PIN is entered, the cylinder will beep and flash green confirming the cylinder is now operable for a period of 10 seconds. Enter the code and rotate the Actuator to check that it operates the lock body.

IMPORTANT: Once Tested, the Factory Default Master PIN must be changed for security reasons.

5 Change Factory Default Master PIN

The Cylinder comes with a factory default Master PIN. For security reasons, it is recommended to change this at install before adding any users, and/or at Builder Handover.

Note which way the cylinder has been installed and follow the instructions to the right:

There are two types of orientations:

- **Standard** - where the base housing sits **above** the Actuator
- **Reverse** - where the base housing sits **below** the Actuator

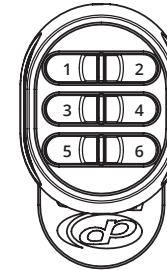
Standard Cylinder Orientation



1. Press+hold (6) for 10 seconds.
2. Enter the Fac.Default Master PIN.
(1)(1)(1)(1)(1)(1)
3. Press (3) to change the F/Default Master PIN and erase all User PIN's
4. Enter a new 6-digit Master PIN
5. Confirm the new 6-digit Master PIN

All stored User PINs are also erased when Master PIN is changed

Reverse Cylinder Orientation



1. Press+hold (1) for 10 seconds.
2. Enter the Fac.Default Master PIN.
(6)(6)(6)(6)(6)(6)
3. Press (4) to change the F/Default Master PIN and erase all User PIN's
4. Enter a new 6-digit Master PIN
5. Confirm the new 6-digit Master PIN

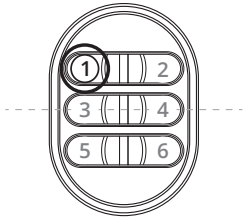
All stored User PINs are also erased when Master PIN is changed

QUICK START GUIDE: HOW TO USE

1 Keypad/Actuator Orientation

Top left key is always #1, regardless which orientation the actuator has been spun.

The cylinder keypad uses an orientation sensor to determine which way is up.



2 Operating/using the Cylinder

By default the cylinder will be in secure mode and the actuator will spin freely without operating the door's lockbody.

Rotate the actuator to a vertical position. Enter the 6 digit PIN to activate the cylinder. The keypad will flash green if the correct code is entered.

Rotate the actuator to operate the lockbody. Confirm the door can now be locked/unlocked.

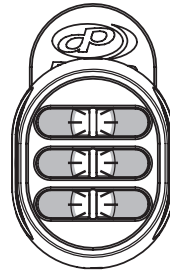
Pushing any button while engaged will put the cylinder back in secure mode.

The cylinder will automatically enter secure mode after 10 seconds.

3 When does the battery needs replacing?

The keypad will flash orange after a correct PIN is entered when it's time to replace the battery.

If the battery goes completely flat, you must replace the battery to continue operating the cylinder.



4 Replacing the battery

The cylinder uses one CR2 battery

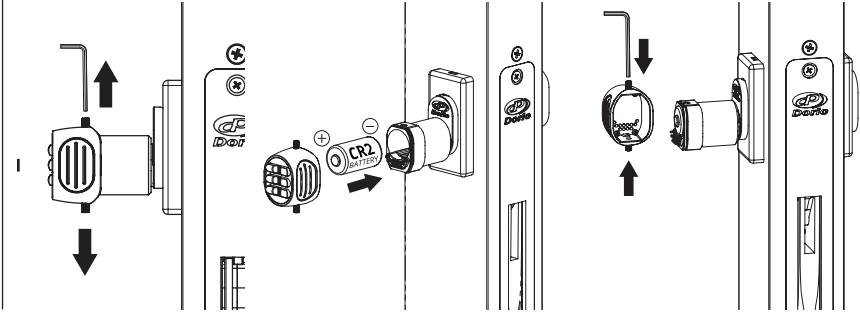
1. Loosen the two Actuator grub screws with 3 turns using the supplied Allen key.

Slide off the Actuator.

2. Insert the CR2 Battery ensuring the positive battery terminal is visible after insertion.

Replace keypad, aligning the connection pins and battery terminal. If the keypad is not inserting easily than double check the orientation is correct.

Keep pressure on the keypad while fastening the two grub screws.



5 Understanding PINs, User IDs and Groups

PIN's:

All PIN's must be six digits long. You can use the same digit multiple times in your code.

Groups:

There are a total of two groups, each with 6 spots/Users available. A combined Group-User number makes the User ID. Example, User ID 1 2, refers to User 2 in Group 1.

Groups can be used to manage multiple types of Users, such as employees or contractors.

User ID:

To add a new PIN code, an available User ID must be assigned. **Read Programming Instructions.**

Using the table to the right can help keep track of the Users. Remember to store in a secure location.

USER ID	Group 1	Group 2
User 1	User ID 1 1	User ID 2 1
User 2	User ID 1 2	User ID 2 2
User 3	User ID 1 3	User ID 2 3
User 4	User ID 1 4	User ID 2 4
User 5	User ID 1 5	User ID 2 5
User 6	User ID 1 6	User ID 2 6

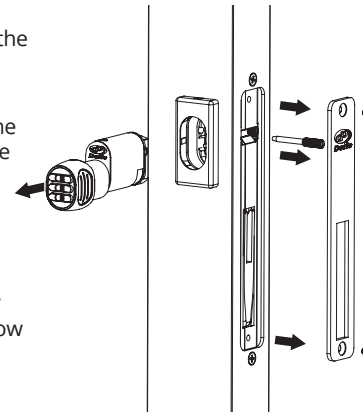
6 Removing the Cylinder

While the door is open, remove the Face Plate via the two fixing screws. Remove the Cylinder fixing screw.

Enter the PIN and rotate the Actuator until it clicks in the home position.

Remove the EPEC Cylinder from the door.

Note: If the Lock Body has an Anti-crash Pin, you may need to depress this to allow cylinder to rotate to the home position.



7 Builder handover & General Maintenance

At builder handover, the user can change the master PIN to remove all prior builder access. Changing the Master PIN erases all PIN's programmed into the cylinder.

Maintenance:

General cleaning is recommended every 3 months with mild detergent and warm soapy water, then rinse with clean water and wipe dry.

View more about this product on our website:
doric.com.au/product/epec-oval



EPEC OVAL | ELECTRONIC PIN ENTRY CYLINDER

SYDNEY:
Ph: 1300 232 389
sales@doric.com.au
www.doric.com.au

38 Redfern St,
Wetherill Park
Sydney, NSW 2164
Australia

AUCKLAND:
Ph: +64 9 415 5535
office@doricnz.co.nz
www.doric.co.nz

26/C Triton Drive,
Albany, North Shore,
Auckland 0632
New Zealand



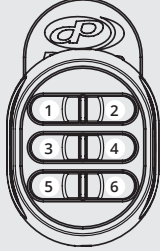
PROGRAMMING INSTRUCTIONS

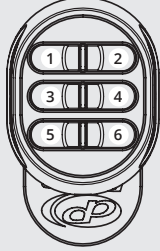
Programming is dependent on cylinder orientation

- There are two types of orientations:
- **Standard** - where the base housing sits **above** the Actuator
 - **Reverse** - where the base housing sits **below** the Actuator

The orientation of the EPEC Oval cylinder is dependent on the lockbody and furniture set installed on the door.

Follow the instructions as per the installed orientation to program the Doric electronic cylinder.

Standard Cylinder Orientation	Adding a new User PIN	Erasing a User PIN	Change Master PIN	Erasing a Group	Snib Mode*	Beep On/Off
	1. Press and hold (6) for 10 seconds. Note: lights will flash orange while in Programming Mode					
	2. Enter the Master PIN. The factory default the Master PIN is (1)(1)(1)(1)(1)(1)					
	3. Press (1) to add a new User PIN	3. Press (2) for erasing a User's PIN access	3. Press (3) to change the Master PIN and erase all User PINs	3. Press (4) for erasing all PINs in an assigned Group	3. Press (5) to toggle Snib mode: On/Off When activated: pushing any key activates cylinder To quickly exit snib mode without entering programming mode: Hold (1) and (2) for 10 seconds	3. Press (6) to toggle the beep On/Off With Beep turned Off, the User can operate the cylinder at night without disturbing others
	4. Enter an available User ID Example: group(1) user(1)	4. Enter the User ID Example: group(1) user(2)	4. Enter new 6-digit Master PIN Example: (1)(2)(1)(2)(1)(2)	4. Enter the Group ID Example: Group(2)		
	5. Enter a new User's 6 digit PIN Example: (4)(5)(4)(5)(5)(6)	5. Confirm User ID Example: group(1) user(2)	5. Confirm new Master PIN Example: (1)(2)(1)(2)(1)(2)	5. Confirm Group ID Example: Group(2)		
	6. Re-enter the new User's PIN to confirm Example: (4)(5)(4)(5)(5)(6)	Example: User 2 of Group 1 has now been deleted	Example: The Master PIN has now been changed and all User PINs are erased	Example: All the User PINs in Group 2 are wiped and will not work, unless re-entered		

Reverse Cylinder Orientation	Adding a new User PIN	Erasing a User PIN	Change Master PIN	Erasing a Group	Snib Mode*	Beep On/Off
	1. Press and hold (1) for 10 seconds. Note: lights will flash orange while in Programming mode					
	2. Enter the Master PIN. The factory default the Master PIN is (6)(6)(6)(6)(6)(6)					
	3. Press (6) to add a new User PIN	3. Press (5) for erasing a User's PIN access	3. Press (4) to change the Master PIN and erase all User PINs	3. Press (3) for erasing all PINs in an assigned Group	3. Press (2) to toggle Snib mode: On/Off When activated: pushing any key activates cylinder To quickly exit snib mode without entering programming mode: Hold (5) and (6) for 10 seconds	3. Press (1) to toggle the beep On/Off With Beep turned Off, the User can operate the cylinder at night without disturbing others
	4. Enter an available User ID Example: group(2) user(3)	4. Enter the User ID Example: group(1) user(2)	4. Enter new 6-digit Master PIN Example: (1)(2)(1)(2)(1)(2)	4. Enter the Group ID Example: Group(2)		
	5. Enter a new User's 6-digit PIN Example: (4)(5)(4)(5)(5)(6)	5. Confirm User ID Example: group(1) user(2)	5. Confirm new Master PIN Example: (1)(2)(1)(2)(1)(2)	5. Confirm Group ID Example: Group(2)		
	6. Re-enter the new User's PIN to confirm Example: (4)(5)(4)(5)(5)(6)	Example: User 2 of Group 1 has now been deleted	Example: The Master PIN has now been changed and all User PINs are erased	Example: All the User PINs in Group 2 are wiped and will not work, unless re-entered		

■ The lock will make a long beep, and the LED will flash green if programming is completed correctly.

■ The LED will flash red if an input is not entered correctly or no input is received for 10 secs.

■ You can exit programming mode at any time by turning the Actuator 180 degrees.

The EPEC Oval cylinder allows up to 6 individual user PIN codes in each of the two groups, making a total of 12 PIN codes. It is recommended to manage temporary codes by groups (e.g. contractors). Below is an example of code management you could employ.

User ID	Group 1 "Staff"	Group 2 "Contractors"
User 1	User ID 11 "Management" 5 4 3 3 6 2	User ID 21 "Cleaner" 6 1 3 4 5 5
User 2	User ID 12 "Staff" 2 5 5 4 3 1	User ID 22 "IT Person" 6 1 3 4 4 5
User 3	User ID 13	User ID 23 "Boss's Mum" 6 1 3 4 1 3

Remember to wipe user codes or a whole group when no longer needed.