



**DS3050**

**ESSENCE**  
SLIDING PATIO DOOR LOCK

## DS3050 | ESSENCE SLIDING PATIO DOOR LOCK

# The Essence embraces a contemporary square style that integrates with any modern interior

The DS3050 Essence sliding patio door lock, with Doric's Twiin™ chassis provides users with a versatile locking solution that meets Australian standards. With its two opposition action hook tongues, it offers superior level of security when compared to other locks designed for residential applications.

The Twiin™ lock is available in a range of sleek & contemporary handle design which blend seamlessly with today's modern interior.

## ADVANTAGES



Two large 6mm thick opposing action hook tongues.



Unique and smooth Twiin™ push/pull actuator operation.



Utilises industry standard 82mm machining details.



Accepts a wide range of Doric external handles.



Incorporates an anti-crash feature to prevent keeper damage.

## TESTING



### CYCLE TEST

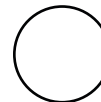
Twiin™ Chassis tested and surpassed 50,000 cycles test in line with ICP 002



## COLOURS



BLACK OR  
MILL BLACK



WHITE

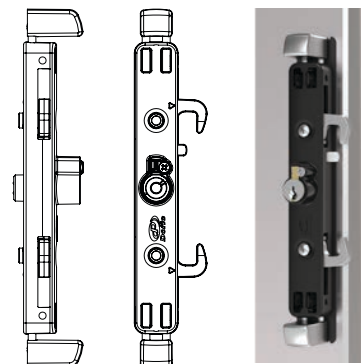


SILVER



CUSTOM  
POWDER COAT  
AVAILABLE

## TWIIN™ | CHASSIS

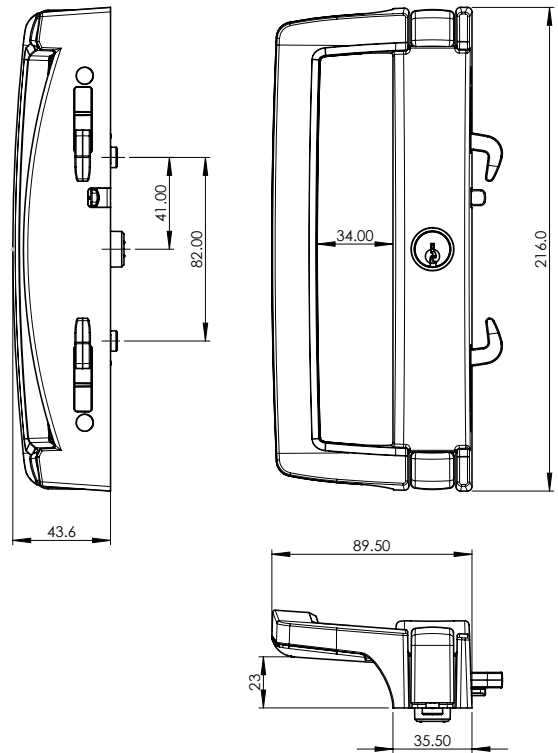


The Doric Twiin™ was the first non-handed twin actuator system to be offered in the Australian market. The unique and smooth Twiin™ push actuator mechanism offers effortless access when entering or exiting.

# PRODUCT DETAILS

<b>MATERIAL</b>	Polesium™ Handle & Infill
<b>FINISH AVAILABLE</b>	Mill Finish or Powder coat
<b>CYLINDER</b>	C4 pin cylinders are available
<b>KEEPER</b>	DS2016 ( <i>standard</i> )
<b>PRODUCT CODES</b>	<p><b>DS3050</b> Double Lock Set <i>Int. &amp; Ext. cylinders</i></p> <p><b>DS3051</b> Latch Set <i>No cylinders</i></p> <p><b>DS3052</b> Lock Set <i>Ext. cylinder only</i></p> <p><b>DS3055</b> Lock Set <i>Int. cylinder only</i></p> <p><b>DS3058</b> Dummy Set <i>No cylinders</i></p>
<b>CHASSIS</b>	Twii™ Chassis

# DIMENSIONS



# OPTIONS

## EXTERIOR HANDLE

DS892  
Polesium™



DS893  
Polesium™



## KEEPER

DS2016



# HOW TO ORDER

LOCKSET OPTIONS	FINISH	HANDLE MATERIAL	EXTERNAL HANDLE	CYLINDER	KEEPER
<b>DS3050</b> Double Lock Set <i>(Int. &amp; Ext. cylinders)</i>	Mill or Powder coat	Polesium™	DS892	C4 Pin	DS2016
<b>DS3051</b> Latch Set <i>(No cylinders)</i>	Mill or Powder coat	Polesium™	DS893	Cyl. Plug	DS2016
<b>DS3052</b> Lock Set <i>(Ext. cylinders)</i>	Mill or Powder coat	Polesium™	DS892	C4 Pin	DS2016
<b>DS3055</b> Lock Set <i>(Int. cylinders)</i>	Mill or Powder coat	Polesium™	DS893	C4 Pin	DS2016
<b>DS3058</b> Dummy Set <i>(No cylinders)</i>	Mill or Powder coat	Polesium™	DS893	Cyl. Plug	-

# INNOVATORS

OF HARDWARE FOR WINDOWS AND DOORS

---

DS3050\_Essence\_Sliding\_Patio\_Door\_Lock\_26.09.2023

## **SYDNEY**

38 Redfern St,  
Wetherill Park  
Sydney, NSW 2164  
Australia  
Ph: +61 2 9609 2555  
[www.doric.com.au](http://www.doric.com.au)

## **AUCKLAND**

26/C Triton Drive,  
Albany, North Shore,  
Auckland 0632  
New Zealand  
Ph: +64 9 415 5535  
[www.doric.co.nz](http://www.doric.co.nz)

## **KUALA LUMPUR**

Unit 6, Level 4, SetiaWalk Mall (Block K),  
SetiaWalk, Persiaran Wawasan,  
Pusat Bandar Puchong,  
47160 Puchong, Selangor, Malaysia  
Ph: +603 8602 2100  
[www.doric.com.my](http://www.doric.com.my)



---

# DS3050

ESSENCE  
SLIDING PATIO DOOR LOCK