



BIIO™ | CHASSIS

Bio™ Chassis Sliding Patio Door Locks

The Doric Bio™ is the latest non-handed twin actuator system to be offered in the Australian market.

The 316 Grade Stainless Steel tongues and 6 point keeper fixing ensures the Doric Bio offers a high level of security that surpasses similar products designed for residential applications.

The Bio™ chassis is available with a range of sleek and contemporary handle designs which blend seamlessly with modern decor.

PRODUCT BENEFITS

- Two 316 Stainless steel hook tongues provide maximum security.
- Utilizes industry standard 82mm machining details.
- Incorporates an anti-crash feature to avoid damage to hook tongues and keepers.
- T3 anti-corrosion finish, tested to 1000hrs salt spray is available.
- 'Locked' and 'Unlocked' Indicators - for quick identification of lock status.
- Night alert/ Glow in the dark indicator for unlocked.
- All locks form part of the Doric One Key™ solution and can be keyed alike to other window locks.
- Accepts both Doric wafer cylinder and C4 5 pin cylinders.
- Utilise the Doric cartridge cylinder system which makes re-keying or changing cylinders quick and easy.
- Conforms to BCA egress lever requirements (Section D2.21 Operation of Latch) - No inside cylinder model.
- Accepts all Doric external pulls.

Technical Specifications

Materials:	Die cast zinc or Stainless Steel housing options. Zinc passivated internals.
Finishes Available:	Satin Chrome Plate and Powder Coat. Other finishes may be available on request.
Cylinder:	C4 pin cylinders are standard & One Key™ solutions compatible.



Layback

Available in Zinc, Stainless Steel & Polesium™

DS892 Keyed Polesium™
DS893 Non-Keyed Polesium™
DS890 Keyed Zinc
DS891 Non-Keyed Zinc
DS890/2 Keyed Stainless Steel
DS891/2 Non-Keyed Stainless Steel



Springvale Plate

Available in Metacom™ and Stainless Steel

DS844 Keyed Metacom™
DS845 Non-Keyed Metacom™
DS844/2 Keyed Stainless Steel
DS845/2 Non-Keyed Stainless Steel



Morticed Pull

Available in Polesium™

DS888 Keyed Polesium™
DS889 Non-Keyed Polesium™



Swinton Layback

Available Metacom™

DS896 Keyed Metacom™
DS897 Non-Keyed Metacom™



Lower Profile Layback

Available in Metacom™

DS894 Keyed Metacom™
DS895 Non-Keyed Metacom™



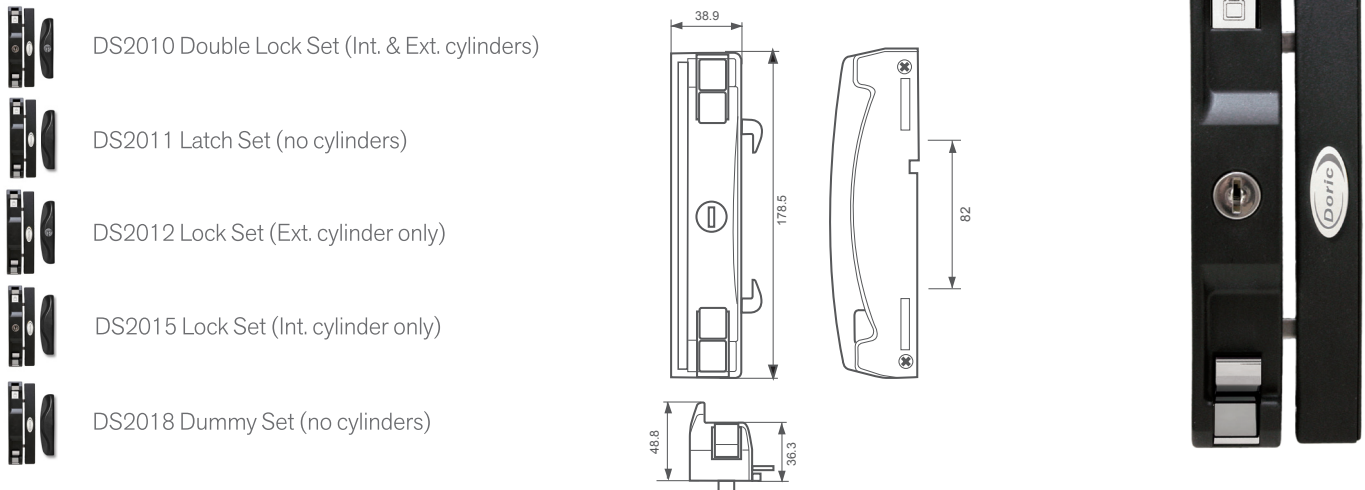
Curve

Available in Polesium™

DS840 Keyed Polesium™
DS841 Non-Keyed Polesium™

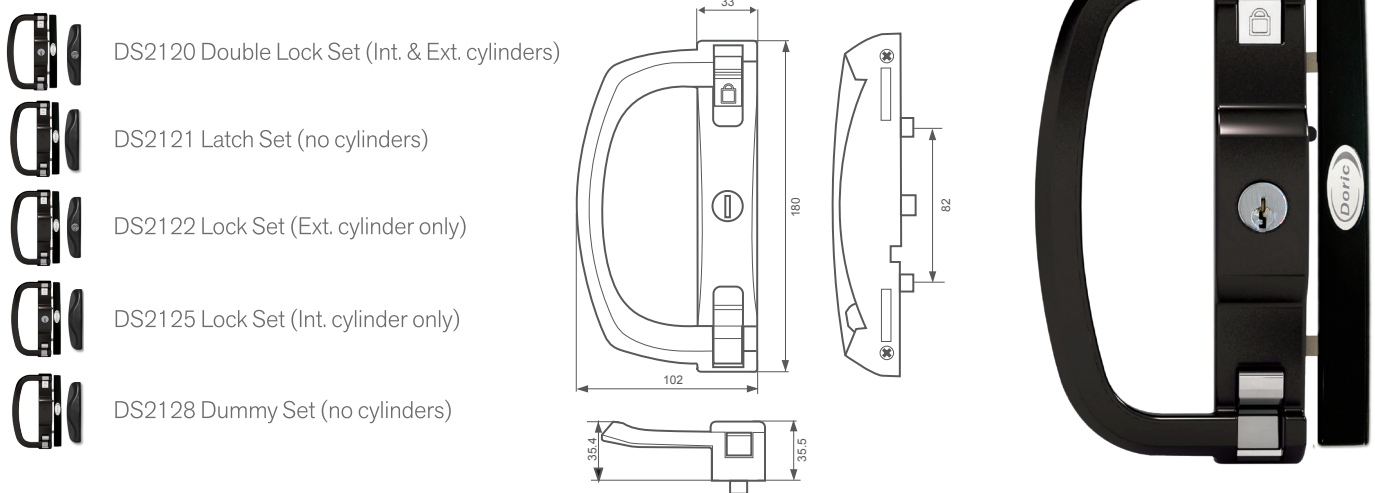
DS2010 Alpine

- Slimline design with no handle over glass



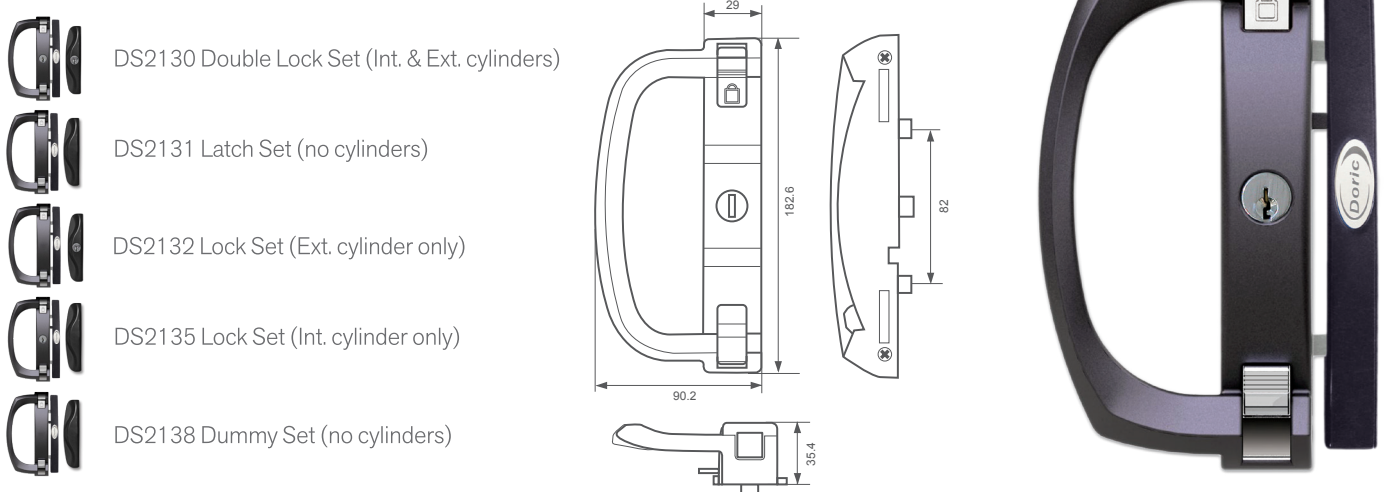
DS2120 Snowy

- Striking D-pull handle with sleek design



DS2130 Bisarra

- Striking D-pull handle with sleek design



INNOVATORS

OF HARDWARE FOR WINDOWS AND DOORS

SYDNEY

38 Redfern St,
Wetherill Park
Sydney, NSW 2164
Australia

Ph: +61 2 9609 2555

www.doric.com.au

AUCKLAND

26/C Triton Drive,
Albany, North Shore,
New Zealand 0632
Auckland

Ph: +64 9 415 5535

www.doricnz.co.nz

KUALA LUMPUR

No.17 Jalan 51/203A, Kawasan
perindustrian Tiong Nam,
Seksyen 51, 46050 Petaling Jaya,
Selangor, Malaysia

Ph: +60377733628

www.doric.com.my



BIIO™ | CHASSIS