



HINGED DOOR

DORIC CATALOGUE - 2024

LOCKS, HARDWARE
& ACCESSORIES

DS2800 | LIFT TO LOCK MORTICE LOCKBODY

LIFT TO FOUR POINTS OF LOCKING FOR MAXIMUM SECURITY.

The **DS2800 Lift to Lock Mortice Lockbody** is Doric's latest hardware innovation following on from the market-leading DS1297 lockbody.

The DS2800 hosts a range of improved features and benefits making it an outstanding choice for aluminium hinged doors.



MAXIMUM SECURITY

The inclusion of four-point locking allows for multiple points of engagement as well as enhanced security and deadlocking capabilities.



QUICK ACCESSIBILITY

Lift to Lock mechanism engages locking bolts & rods with the lifting of the handle. It's then quickly disengaged with the turn down of the handle.



COMPATIBILITY

Designed with a reversible spring-loaded latch tongue the DS2800 can suit either Left-Hand or Right-Hand hinged doors and can be changed without hassle.



DAY LATCHING

When partnered with Snib Furniture provides the ability to secure the door from the inside without the use of keys for quick access.



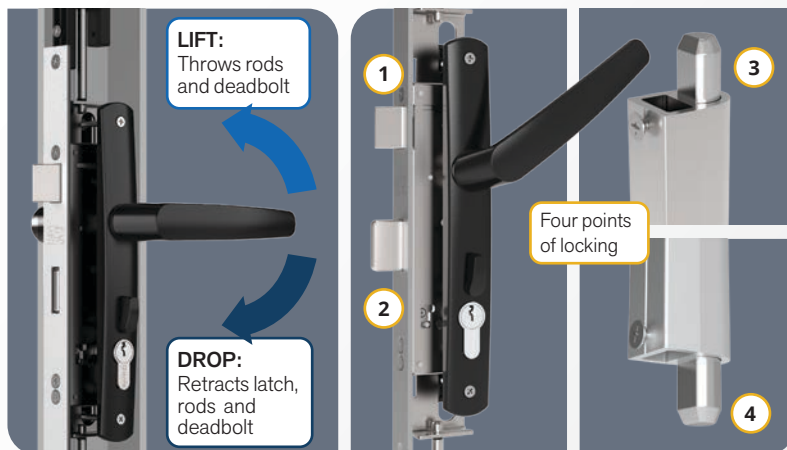
SECURE & DURABLE

Introduction of over-camming mechanism in thrown and deadlocked position prevents external tampering for additional security.



INSTALLATION & SERVICEABILITY

Significant improvement on on-site installation & serviceability. The improved accessory kit offers sophisticated fitment reducing resonance within the door frame.



Find out more and see a full featured introduction to the DS2800 options and compatible furniture range, talk to your local Doric Sales Representative.



**WE'RE MORE THAN UNIQUE,
WE'RE AUSTRALIA'S LARGEST
MANUFACTURER AND SUPPLIER
OF WINDOW & DOOR HARDWARE**

For sales & information:
sales@doric.com.au
1300 132 389
www.doric.com.au



HINGED DOOR LOCKS, HARDWARE & ACCESSORIES



FURNITURE | HINGED DOOR HARDWARE

DS1400 Hinged Door Furniture	4
DS1500 Stainless Steel Hinged Door Furniture	6
DS1600 Layback Hinged Door Furniture	8

MORTICE LOCKBODIES | HINGED DOOR

Single Point Mortice Lockbodies	10
Multi Point Mortice Lockbodies	13
Accessories Mortice Lockbodies	17

BIFOLD | DOOR LOCK HARDWARE 22

FLUSH & DOOR BOLTS

Flush Bolts Door Lock Hardware	24
Flush Bolt Accessories	26
Door Bolts Lock Hardware & Accessories	30

SHOP FRONT LOCK ACCESSORIES 33

ENTRANCE HANDLES 34

INDEX 42

DS1400 | HINGED DOOR FURNITURE

Doric's DS1400 Series range is cast from aluminium and finished in any desired powder coat colour.

This unsprung handle is easy to assemble and has been the industry standard for over 20 years. Once the escutcheon plates are fitted, the lever is attached to the spindle and secured by a M5 grub screw.

The DS1400 has a 85mm pitch between lever spindle and the keyed cylinder barrel and is suitable for Doric Swing Bolt Euro cylinder mortice locks listed below.

Available to be kitted with Doric DS1265, DS1269, DS1273, DS1289 and DS1295 mortice lock packs.

FEATURES

- Cast aluminium lever and escutcheon
- Universal standard 85mm pitch between lever spindle & cylinder barrel
- Non-handed Lever can be rotated for left or right handed hinged doors.



DS1400/0 Hunter

ADVANTAGES

- Suitable for hinged doors in single french & bi-folding application
- Durable powder coat finish
- Easy installation

PRODUCT DETAILS

MATERIALS	Aluminium
FINISHES AVAILABLE	Powder coat &
SUITABILITY	Hinged doors in french or bi-folding application

COLOURS



HOW TO ORDER

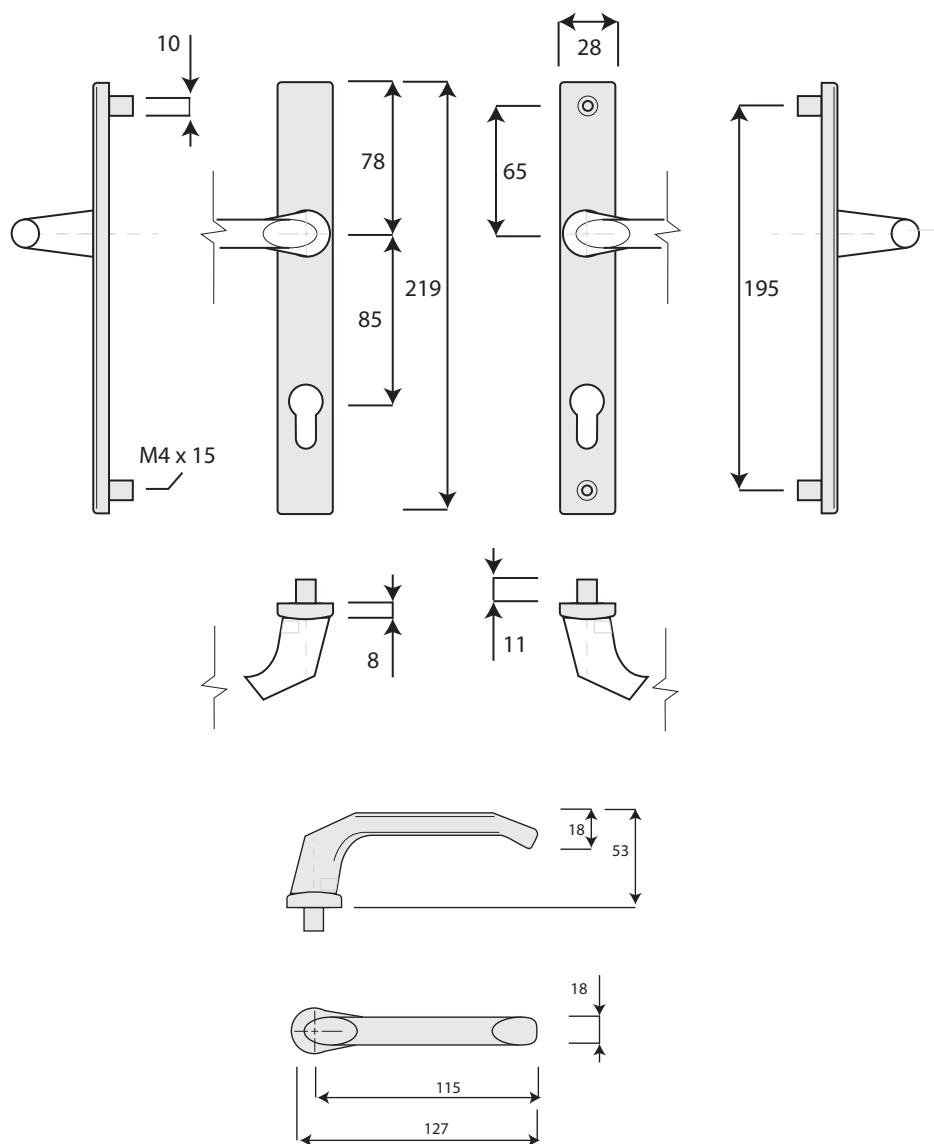
CODE	PRODUCT	HANDLE STYLE	FINISH
MDS1400	DS1400 – #0 Hunter	#0 Hunter	Powder coat

DS1400

Hinged Door Furniture



DIMENSIONS



DS1400/0 Hunter

DS1500 | STAINLESS STEEL HINGED DOOR FURNITURE

Doric's DS1500 series range is arguably the best door furniture available in the market. Finished in satin stainless steel, both the lever and escutcheon cover are manufactured from marine grade 316 stainless steel.

The Stainless steel escutcheon chassis houses the high performance spring mechanism. Each handle consists of a Quad Sprung, Twin Shuttle, Cam Action spring mechanism to return the levers to its horizontal position time after time.

The DS1500 is suitable for Euro Cylinder mortice locks with 85mm pitch between lever spindle and the keyed cylinder barrel.

Available to be kitted with Doric DS1265, DS1269, DS1273, DS1289, DS1295 and DS2800 mortice lock packs.



DS1500/3
Manly

DS1500/5
Swan

DS1500/6
Tumut

FEATURES

- Lever and Escutcheon cover manufactured from marine grade 316 stainless steel
- Quad sprung, twin shuttle, cam action spring mechanism
- Universal standard 85mm pitch between lever spindle and cylinder barrel

ADVANTAGES

- Non handed mechanism allows for easy selection on site for left or right handed hinged doors
- Marine Grade 316 Stainless Steel, suitable for coastal environments.

PRODUCT DETAILS

MATERIALS	316 Stainless Steel
FINISHES AVAILABLE	Satin stainless steel
SUITABILITY	Hinged doors in french or bi-folding application

COLOURS



Note:
DS1504 with snib is only used with the DS2800 lockbody

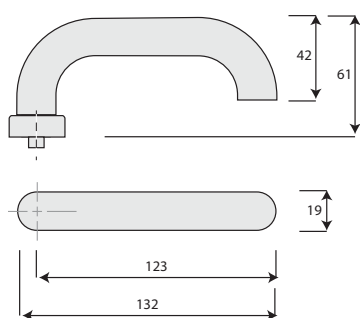
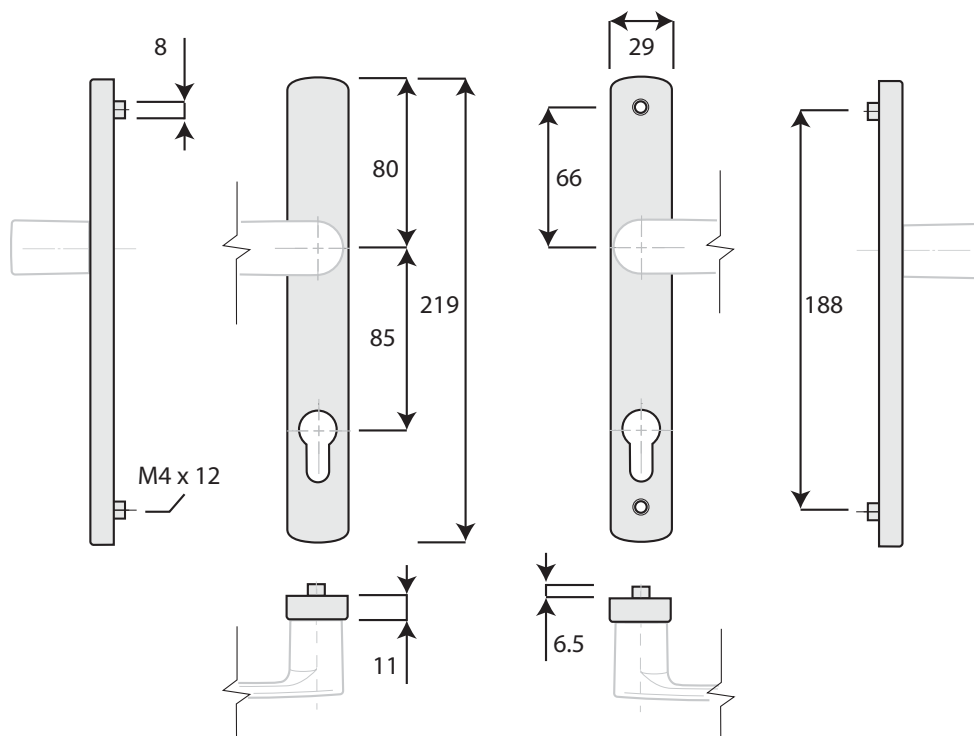
HOW TO ORDER

CODE	PRODUCT	HANDLE STYLE	FINISH
9044362	DS1500 - #3 Manly	#3 Manly	Satin stainless steel
9043742	DS1500 - #5 Swan	#5 Swan	
9044363	DS1500 - #6 Tumut	#6 Tumut	

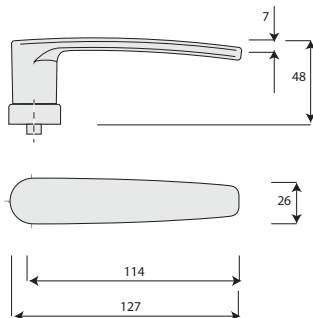


DS1500
Stainless Steel Hinged Door Furniture

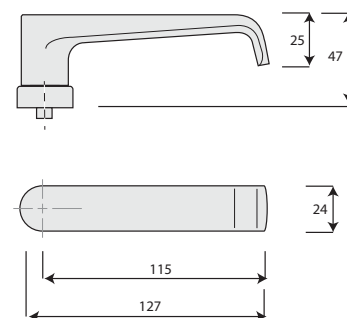
DIMENSIONS



DS1500/3 Manly



DS1500/5 Swan



DS1500/6 Tumut

DS1600 | LAYBACK HINGED DOOR FURNITURE

Doric's DS1600 Series hinged door furniture is suitable for use in residential applications and is available in a wide range of durable powder coat colours.

The inclusion of a 17-degree lever lay back increases the clearance between the lever and the door frame, advantageous when opening with a narrow backset mortice lock.

Levers and escutcheon plates are manufactured from high pressure cast zinc, enhancing both strength and durability. Each handle consists of a Parallel leaf spring assembly to return the levers to the horizontal position.

Suitable for Euro Cylinder mortice locks with 85mm pitch between lever spindle and the keyed cylinder barrel.

Available to be kitted with Doric DS1265, DS1289, DS1295 and DS2800 mortice lock packs.



DS1600/5 Swan



DS1600/6 Tumut

FEATURES

- Lever and Escutcheon manufactured from high pressure cast zinc
- Parallel Leaf Spring Assembly spring mechanism
- Universal standard 85mm pitch between lever spindle and cylinder barrel

ADVANTAGES

- 17 degree lever shaft layback for greater clearance during opening
- Non handed mechanism allows for easy selection on site for left or right hand doors

PRODUCT DETAILS

MATERIALS	Aluminium
FINISHES AVAILABLE	Powder coat & Satin Chrome Plated
SUITABILITY	Hinged doors in french or bi-folding application

COLOURS

	SATIN BLACK		WHITE
	SILVER		CUSTOM ON REQUEST

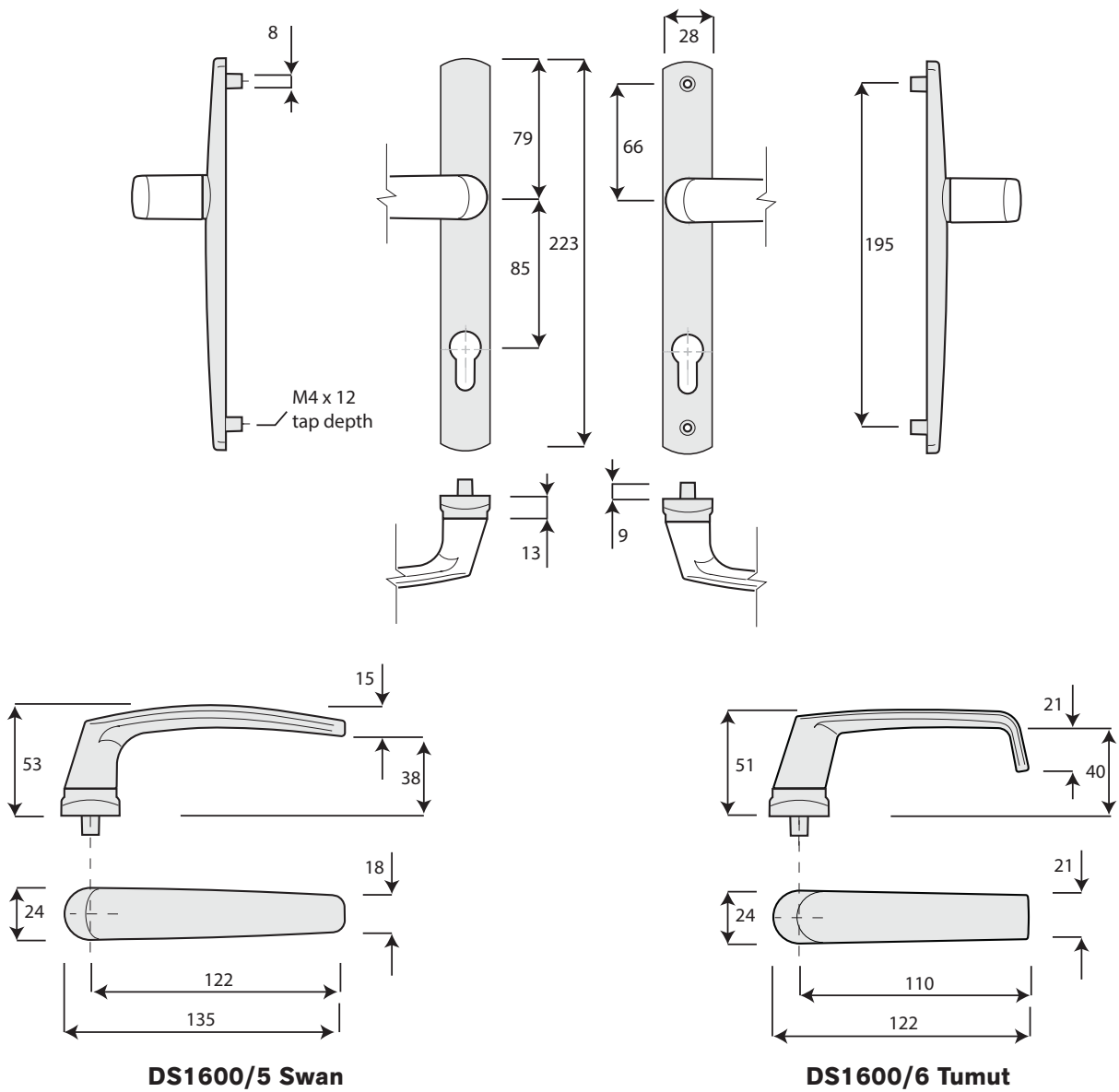
HOW TO ORDER

CODE	PRODUCT	HANDLE STYLE	FINISH
MDS1600	DS1600 Double lockset (Int. & Ext. Cylinders)	#5 Swan, or #6 Tumut	Powder coat, or Satin Chrome
	DS1601 Latch Set (No Cylinders)		Powder coat
	DS1602 Lock Set (Ext Cylinders Only)		Powder coat
	DS1604 Double lockset w/ Snib (Int. & Ext. Cyl.)		Powder coat, or Satin Chrome
	DS1605 Lockset (Int. Cylinder Only)		Powder coat
	DS1606 Lock Set (Int. Cylinder Dummy Ext.)		Powder coat
	DS1607 Lockset (Int. Cylinder with Snib Only)		Powder coat
	DS1608 Dummy Inactive Set (No Cylinders)		Powder coat



DS1600
Layback Hinged Door Furniture

DIMENSIONS

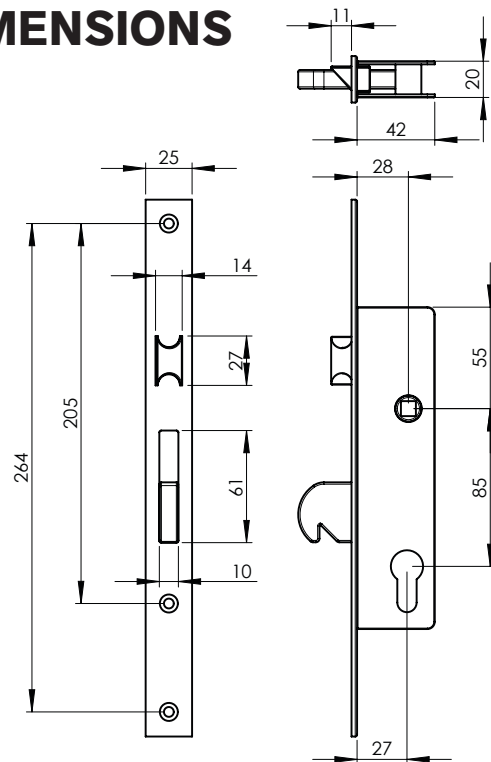


PRODUCT DETAILS

APPLICATION	Aluminium & Timber
BACKSET	30mm
BOLTS	Latchbolt - 10mm throw, chrome plated brass reversible latch Deadbolt - 26mm throw, steel laminated long throw swing bolt
FACE PLATE FINISHES	Stainless steel
CYLINDER	Standard: DS1272 62mm Euro Cylinder - 5 pin C4 with fixed drive cam DS197 70mm Euro Cylinder - 5 pin C4 with fixed drive Optional DS1266 62mm Euro Cylinder Turn - 5 pin C4 with fixed drive cam and inside turn DS202 70mm Euro Cylinder Turn - 5 pin C4 with fixed drive cam and inside turn
STRIKE PLATES	Standard: DS1277 Optional: Small, Medium, Long, Long Lip Strikes



DIMENSIONS



FUNCTIONS

The DS1265 latch hub retracts the latch bolt (via a spindle fitted to the furniture/handles). Key throws and retracts the swing bolt (via fixed cam euro cylinder). Key also retracts the latch.

HOW TO ORDER

CODE	FURNITURE	LEVER	CYLINDER	KEYING	STRIKE
MDS1265	DS1400	#0 - Hunter	DS1272 DS197 DS1266 DS202	KA KD 96###	S = 27mm Lip M = 34mm Lip L = 72mm Lip x = No Strike
	DS1500	#3 Manly #5 Swan #6 Tumut			
	DS1600	#5 Swan #6 Tumut			

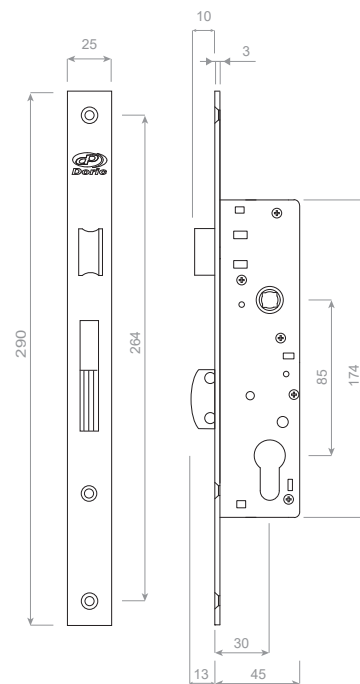
DS1269 | SINGLE POINT SWING BOLT MORTICE LOCKBODY

PRODUCT DETAILS

APPLICATION	Aluminium & Timber
BACKSET	30mm
BOLTS	Latchbolt - 10mm throw, reversible chrome plated brass bolt Deadbolt - 13mm throw, steel chrome plated with hardened steel middle plate
FACE PLATE FINISHES	Satin stainless steel
CYLINDER	Standard DS1272 62mm Euro Cylinder - 5 pin C4 with fixed drive cam DS197 70mm Euro Cylinder - 5 pin C4 with fixed drive Optional DS1266 62mm Euro Cylinder Turn - 5 pin C4 with fixed drive cam and inside turn DS202 70mm Euro Cylinder Turn - 5 pin C4 with fixed drive cam and inside turn
STRIKE PLATES	Standard: DS1277 Optional: Small, Medium, Long, Long Lip Strikes



DIMENSIONS



FUNCTIONS

The DS1269 latch hub retracts the latch bolt (via a spindle fitted to the furniture/handles). Key throws and retracts the swing bolt (via fixed cam euro cylinder). Key also retracts the latch.

HOW TO ORDER

CODE	FURNITURE	LEVER	CYLINDER	KEYING	STRIKE
MDS1269	DS1400	#0 - Hunter	DS1272 DS197 DS1266 DS202	KA KD 96###	S = 27mm Lip M = 34mm Lip L = 72mm Lip x = No Strike
	DS1500	#3 Manly #5 Swan #6 Tumut			
	DS1600	#5 Swan #6 Tumut			

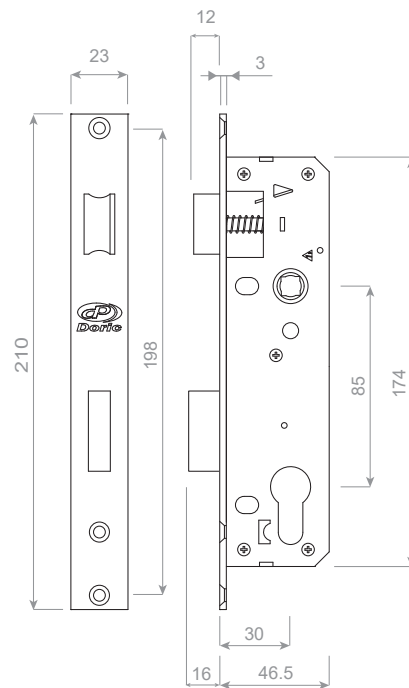
DS1295 | SINGLE POINT PROJECTION BOLT MORTICE LOCKBODY

PRODUCT DETAILS

APPLICATION	Aluminium & Timber
BACKSET	25mm & 30mm
BOLTS	Latchbolt - 13mm throw, zinc chrome plated Deadbolt - 16mm throw, zinc chrome plated
FACE PLATE FINISHES	Satin stainless steel
CYLINDER	Standard DS1272 62mm Euro Cylinder - 5 pin C4 with fixed drive cam DS197 70mm Euro Cylinder - 5 pin C4 with fixed drive Optional DS1266 62mm Euro Cylinder Turn - 5 pin C4 with fixed drive cam and inside turn DS202 70mm Euro Cylinder Turn - 5 pin C4 with fixed drive cam and inside turn
STRIKE PLATES	Standard: DS1277 Optional: Small, Medium, Long, Long Lip Strikes



DIMENSIONS



FUNCTIONS

The DS1295 latch hub retracts the latch bolt (via a spindle fitted to the furniture/handles). Key throws and retracts the swing bolt (via fixed cam euro cylinder). Key also retracts the latch.

HOW TO ORDER

CODE	FURNITURE	LEVER	CYLINDER	KEYING	STRIKE
MDS1295	DS1400	#0 - Hunter	DS1272 DS197 DS1266 DS202	KA KD 96###	S = 27mm Lip M = 34mm Lip L = 72mm Lip x = No Strike
	DS1500	#3 Manly #5 Swan #6 Tumut			
	DS1600	#5 Swan #6 Tumut			

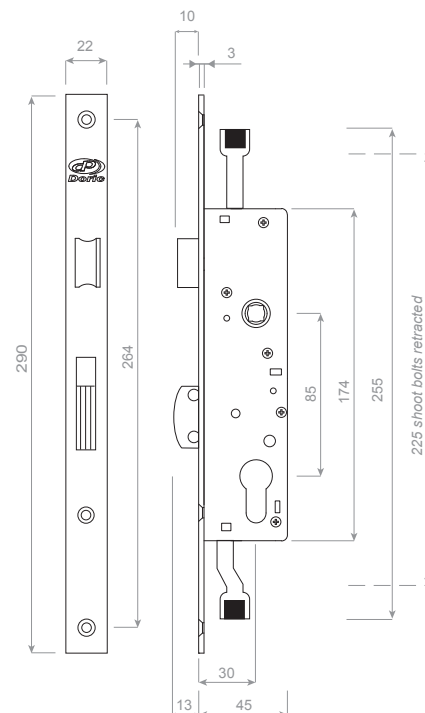
DS1273 | MULTI-POINT SHORT THROW SWING BOLT MORTICE LOCKBODY

PRODUCT DETAILS

APPLICATION	Aluminium
BACKSET	30mm
BOLTS	Latchbolt - 10mm throw, reversible chrome plated brass bolt Deadbolt - 13mm throw, steel chrome plated with hardened steel middle plate
FACE PLATE FINISHES	Satin stainless steel
RODS	8mm Stainless steel
CYLINDER	Standard DS1272 62mm Euro Cylinder - 5 pin C4 with fixed drive cam DS197 70mm Euro Cylinder - 5 pin C4 with fixed drive Optional DS1266 62mm Euro Cylinder Turn - 5 pin C4 with fixed drive cam and inside turn DS202 70mm Euro Cylinder Turn - 5 pin C4 with fixed drive cam and inside turn
STRIKE PLATES	Standard: DS1277 Optional: Small, Medium, Long, Long Lip Strikes



DIMENSIONS



FUNCTIONS

The DS1273 Latch hub retracts with the latch bolt (via a spindle fitted to the furniture/ handle)

HOW TO ORDER

CODE	FURNITURE	LEVER	CYLINDER	KEYING	STRIKE
MDS1273	DS1400	#0 - Hunter	DS1272 DS197 DS1266 DS202	KA KD 96###	S = 27mm Lip M = 34mm Lip L = 72mm Lip x = No Strike
	DS1500	#3 Manly #5 Swan #6 Tumut			
	DS1600	#5 Swan #6 Tumut			

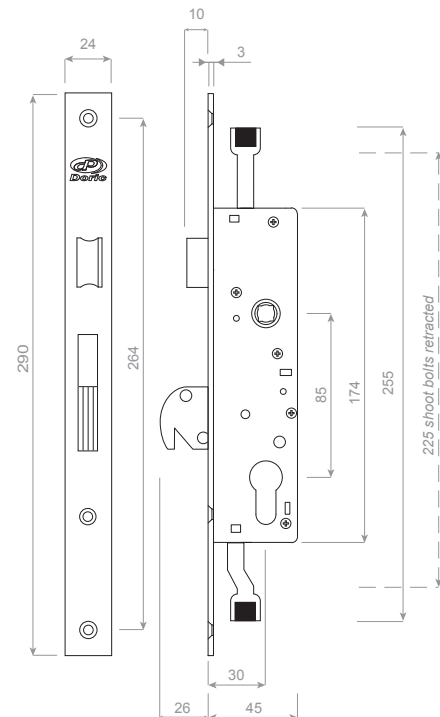
DS1289 | MULTI POINT LONG THROW SWING BOLT MORTICE LOCK

PRODUCT DETAILS

APPLICATION	Aluminium & Timber
BACKSET	25mm & 30mm
BOLTS	Latchbolt - 10mm throw, chrome plated brass reversible latch Deadbolt - 26mm throw, steel laminated long throw swing bolt
FACE PLATE FINISHES	Satin stainless steel
CYLINDER	Standard DS1272 62mm Euro Cylinder - 5 pin C4 with fixed drive cam DS197 70mm Euro Cylinder - 5 pin C4 with fixed drive Optional DS1266 62mm Euro Cylinder Turn - 5 pin C4 with fixed drive cam and inside turn DS202 70mm Euro Cylinder Turn - 5 pin C4 with fixed drive cam and inside turn
STRIKE PLATES	Standard: DS1277 Optional: Small, Medium, Long, Long Lip Strikes



DIMENSIONS



FUNCTIONS

The DS1289 latch hub retracts with the latch bolt (via a spindle fitted to the furniture/ handle), the key throws and retracts the swing bolt and vertical shoot bolt actuators (via fixed cam euro cylinder). Key can also retract latch.

HOW TO ORDER

CODE	FURNITURE	LEVER	CYLINDER	KEYING	STRIKE
MDS1289	DS1400	#0 - Hunter	DS1272 DS197 DS1266 DS202	KA KD 96###	S = 27mm Lip M = 34mm Lip L = 72mm Lip x = No Strike
	DS1500	#3 Manly #5 Swan #6 Tumut			
	DS1600	#5 Swan #6 Tumut			

DS2800 | LIFT TO LOCK MORTICE LOCKBODY

Designed specifically for aluminium hinged door applications and based on the DS1297 lockbody, the DS2800 features the popular Lift to Lock mechanism where lifting the handle throws the projection bolt as well as, if installed, the vertical shoot locking bolts.

The vertical shoot locking kit is now also included, raising the DS2800 to four-point locking system and features a redesigned mid guide mounting system that improves ease of installation removing the need for additional tab mounting components.



FEATURES

- Inclusion of four-point locking kit
- Over-camming mechanism prevents external tampering when bolts are thrown and in deadlocked position
- Accessory kit offers sophisticated fitment, and reduces resonation within the door frame

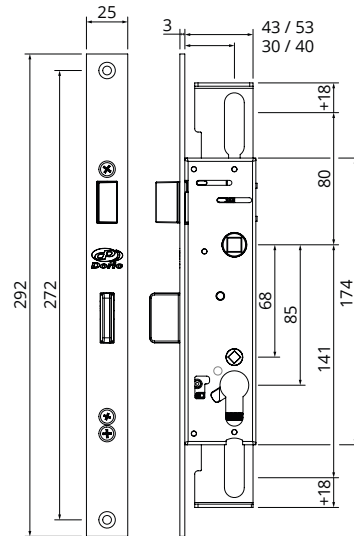
ADVANTAGES

- Compatible with snib furniture for day latching
- Easily engage locking bolts & rods with Lift to Lock mechanism
- Reversible spring-loaded latch tongue to suit either left or right handed doors.
- Improved on-site installation and serviceability

PRODUCT DETAILS

APPLICATION	Aluminium & Timber
BACKSET	30mm & 40mm
BOLTS	Latchbolt - 14.5mm throw, zinc chrome plated Deadbolt - 18mm throw, zinc chrome plated Vertical Throw - 18mm
FACE PLATE FINISHES	304 Stainless steel
CYLINDER	Floating Cam Cylinders DS196NSK – 62mm Euro Cyl. DS200NSK – 70mm Euro Cyl. EPEC - Digital cylinder upgrade
STRIKE PLATES	Standard DS1277 Optional Small, Medium, Long, Long Lip Strikes

DIMENSIONS



- **Cyclic Testing** - Completed and surpassed ICP 002 Achieved 100,000 cycles.
- **Maximum Torque Test** - Tested on standard hinged furniture in deadlocked configuration. Completed and surpassed 76Nm

HOW TO ORDER

CODE	FURNITURE	LEVER	CYLINDER	KEYING	STRIKE
MDS2800	1500=SS no snib	#5 Swan #6 Tumut	DS196NSK	KA	S = 27mm lip
	1504=SS w/snib		DS200NSK	KD	M = 34mm lip
	1600=PC no snib		EPEC	96###	L = 72mm lip
	1604=PC w/snib			-	x = no strike

DS1297 RETROFIT KIT | TO SUIT REPLACING WITH DS2800

The DS1297 Retrofit kit enables fabricators and customers who currently have a DS1297 lockbody installed on their doors to seamlessly upgrade to the DS2800 lockbody.

The following kit will replace all internal components within an existing door system without requiring any additional cutting

ADVANTAGES

- **Installation:** Redesigned mid guide mounting system improves ease of installation and removes the need for additional tab mounting components.
- **Strength:** Changed from zinc die-cast to pressed sheet steel construction to improve ultimate strength and manufacturability.
- **Security:** DS2800 now includes an 'Over-Camming' mechanism to ensure that the bolt and the rods cannot be depressed or retracted without handle operation.
- **Snib Position:** New zinc die-cast snib now allows powder coat colour matching to the furniture and with increased clearance between the snib and cylinder, non-standard keys can now be used.

COMPONENTS

CODE	DESCRIPTION	QTY
9123859	Retro-Fit Mid Guide	2
9123865	DS2800 Lock Body 30mm Backset with retro-fit faceplate	1
9123860	Packer for DS2800 Tab Mounting	1
9051907	Rod Tip Guide	2
9035673	Locking Bolt & Connector Kit	2
9011972	3 Point Rod Kit (1m & 1.5m)	1
9047058	Mid Connector	2
9051215	Head/Sill Ferrule	2
9004363	8G x 1/2" Countersink screws	10
Custom	Non-handed Striker	1
Custom	Floating Cam Cylinder	1
Custom	Hinged Door Furniture	1



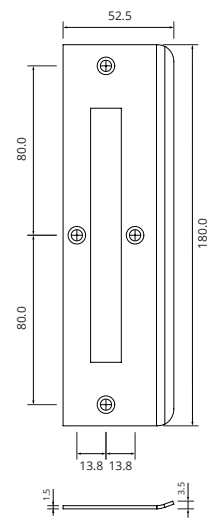
HOW TO ORDER

CODE	DESCRIPTION	FINISH
9125284	DS1297 Lift to Lock Retrofit Kit To Suit DS2800; 30mm backset; DS1604 Swan #5	Satin Black
9125293	DS1297 Lift to Lock Retrofit Kit To Suit DS2800; 30mm backset; DS1604 Swan #5	Silver
9125286	DS1297 Lift to Lock Retrofit Kit To Suit DS2800; 30mm backset; DS1604 Swan #5	Pearl White

ACCESSORIES | MORTICE LOCKBODIES

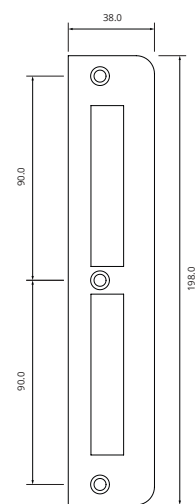
DS1267 | STANDARD "D" STRIKE

APPLICATION	Suits DS1265, DS1269, DS1273, DS1289, & DS1295 Mortice Locks
MATERIAL	Stainless steel
FINISHES	Brushed Stainless steel
ORDER CODE	9003252



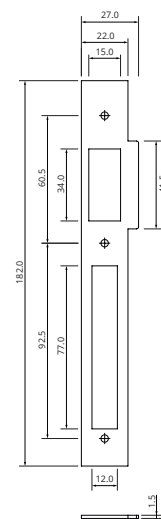
DS1268 | NARROW "D" STRIKE

APPLICATION	Suits DS1265, DS1269, DS1273, DS1289, & DS1295 Mortice Locks
MATERIAL	Stainless steel
FINISHES	Brushed Stainless steel
ORDER CODE	9003276



DS1277/S | STRIKE - SMALL (27mm)

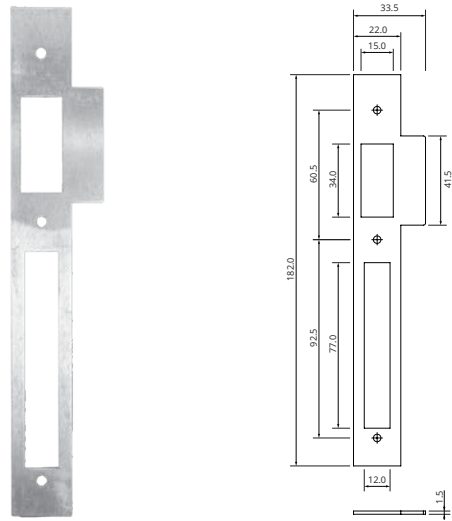
APPLICATION	Suits DS1265, DS1269, DS1273, DS1289, DS1295 and DS2800 Mortice Locks
MATERIAL	Stainless Steel
FINISHES	Brushed Stainless steel
ORDER CODE	9011184



ACCESSORIES | MORTICE LOCKBODIES

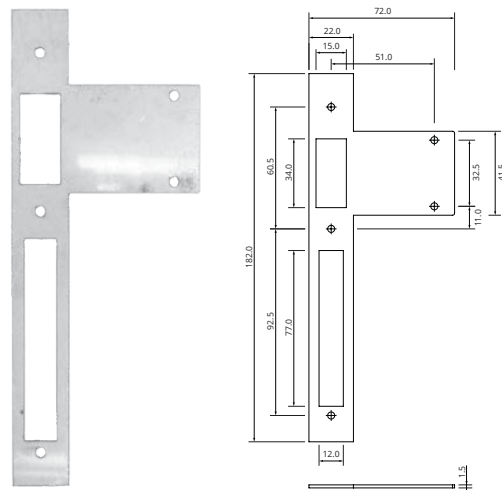
DS1277/M | STRIKE - MEDIUM (34mm)

APPLICATION	Suits DS1265, DS1269, DS1273, DS1289, DS1295 and DS2800 Mortice Locks
MATERIAL	Stainless Steel
FINISHES	Brushed Stainless steel
ORDER CODE	9013198



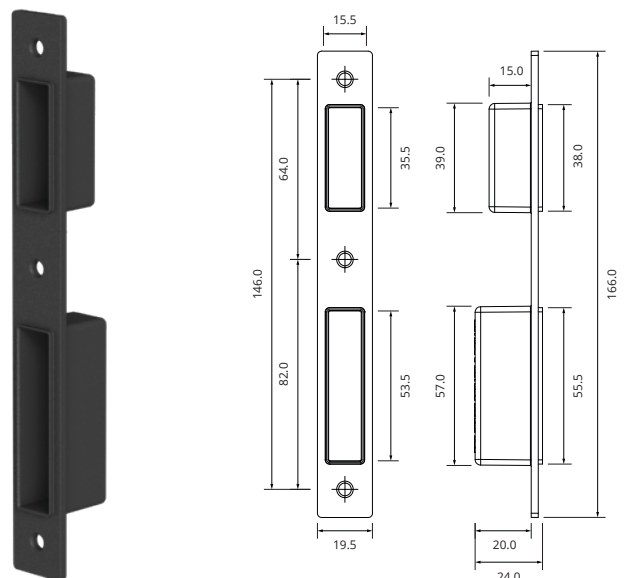
DS1277/L | STRIKE - LARGE (72MM)

APPLICATION	Suits DS1265, DS1269, DS1273, DS1289, DS1295 and DS2800 Mortice Locks
MATERIAL	Stainless Steel
FINISHES	Brushed Stainless steel
ORDER CODE	9013199



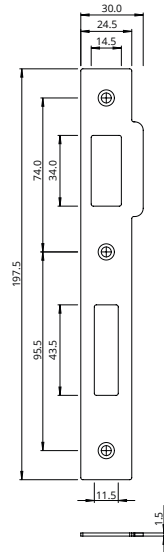
DS1277 STRIKER BOX

APPLICATION	DS1277 (S/M/L)
MATERIAL	Polesium™
FINISHES	Mill finish
ORDER CODE	9051174



DS1278 | STRIKE

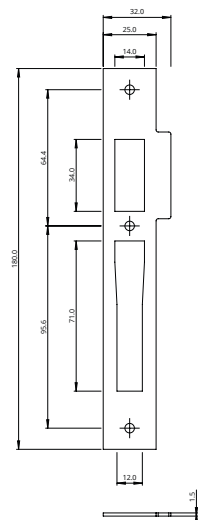
APPLICATION	Suits DS1265, DS1269, DS1273, DS1289, DS1295 and DS2800 Mortice Locks
MATERIAL	Stainless Steel
FINISHES	Brushed Stainless steel
ORDER CODE	9038664



DS1293 | TAPERED SWING BOLT LIPPED STRIKE

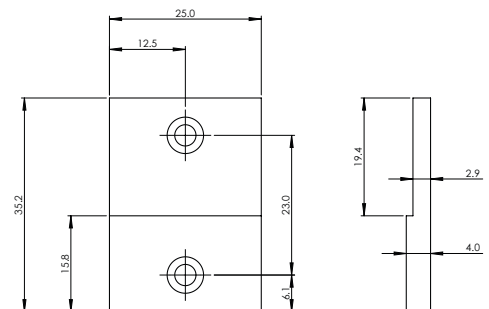
French Door Striker Stainless Steel

APPLICATION	Suits DS1265, DS1269, DS1273, DS1289 Mortice Locks
MATERIAL	Stainless steel
FINISHES	Brushed Stainless steel
ORDER CODE	9022071



DS1299 | ALUMINIUM TAB FITTING KIT

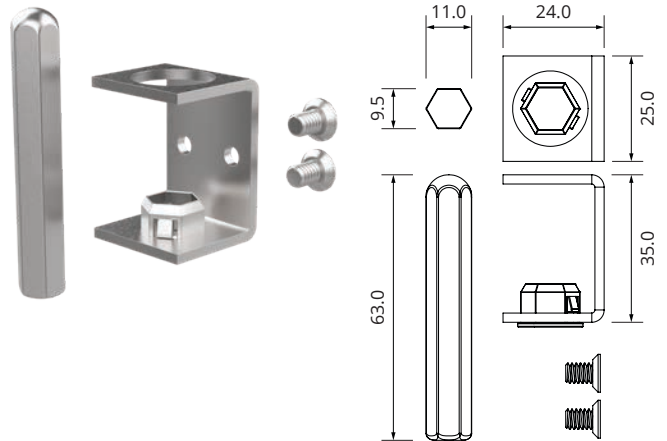
FUNCTION	Allows mortice locks to be installed in a flush orientation
APPLICATION	DS1265, DS1269, DS1295, DS1273 and DS1289
MATERIAL	Aluminium
FINISH	Mill



ACCESSORIES | MORTICE LOCKBODIES

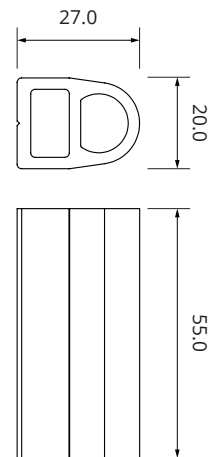
VERTICAL | SHOOT BOLT ASSEMBLIES

APPLICATION	Suits DS1273, DS1289 Lock Bodies
MATERIAL	Stainless steel
FINISH	Stainless steel
ORDER CODE	9024502



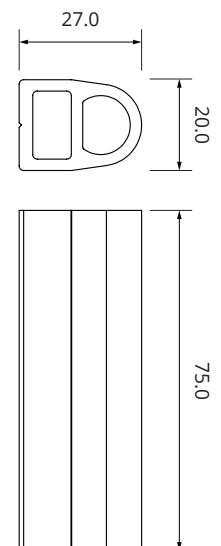
D-BOLT GUIDE KIT | 75mm

APPLICATION	Hinged door 3-point locking
MATERIAL	Aluminium
FINISHES	Zinc Passivated
FIXINGS	8G Screws (Included)
ORDER CODE	9051909



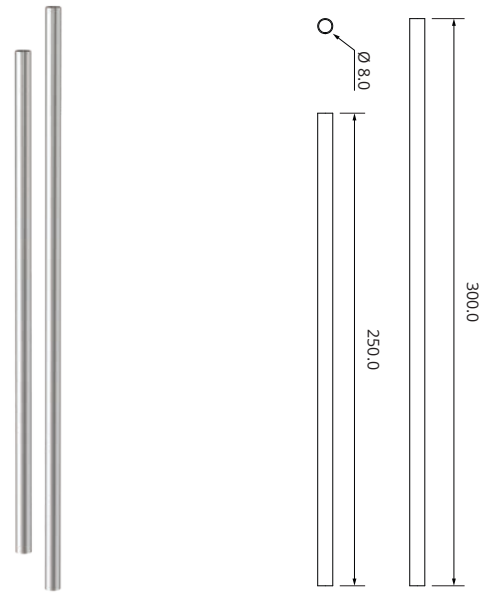
D-BOLT GUIDE KIT | 55mm

APPLICATION	Hinged door 3-point locking
MATERIAL	Aluminium
FINISHES	Zinc Passivated
FIXINGS	8G Screws (Included)
ORDER CODE	9044300



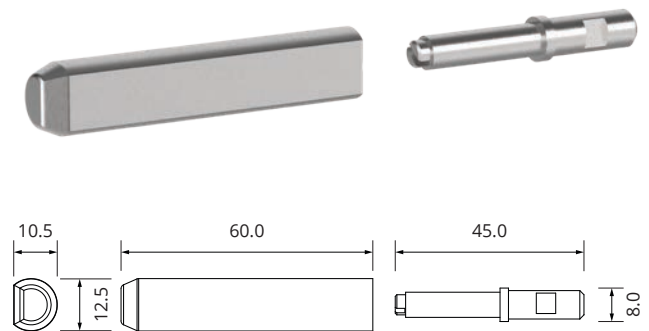
3-POINT ROD | KIT

APPLICATION	Hinged door 3-point locking & bi-fold Systems
MATERIAL	Stainless steel
LENGTH	1.0m & 1.3m
ORDER CODE	9011972



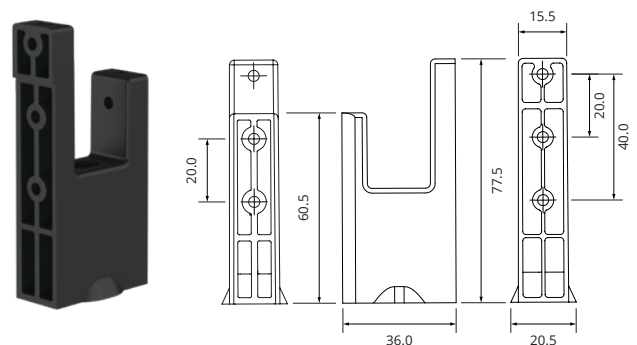
LOCKING BOLT CONNECTOR | Kit

APPLICATION	Hinged door 3-point locking & bifold systems
MATERIAL	Stainless Steel
FINISHES	Mill Finish
ORDER CODE	9035673



DS2800 MIDGUIDE

APPLICATION	Hinged door 3-point locking
MATERIAL	Polesium™
FINISHES	Mill Finish
ORDER CODE	9116928



DS1250 | MKII TWIN POINT BI-FOLD LOCK

The DS1250 MKII Twin Point Bi-Fold Lock is Doric's next generation bi-fold lockbody, suitable for use on hinged and bi-fold aluminium doors & windows. Based on the original DS1250, the design has been improved to offer a better lockbody in performance and operation.

The DS1250 epitomises Doric's reputation for high quality hardware that is unmatched in modern architectural styling. The DS1250 is suitable for use in residential and commercial applications for doors up to 2800mm in height.

FEATURES

- Aluminium guide and internally threaded rod connection provides ease of adjustment without needing to remove lock
- Lowest possible stand off dimension allowing for the largest achievable leaf opening
- Corrosion resistant Stainless steel rods and 'D' tips

ADVANTAGES

- The DS1250 is non handed, suitable for use on both left and right handed bi fold doors and windows
- No screws required when installing packers



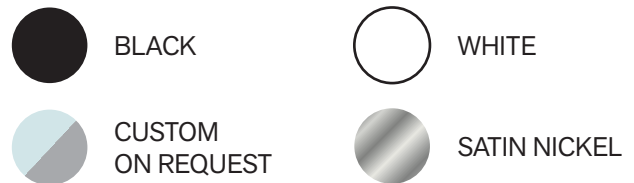
**Locking
(Keyed)**

**Latching
(Non Keyed)**

PRODUCT DETAILS

MATERIAL	Die-cast zinc
CYLINDER	DS187 Cylinder
FINISH	Satin Nickel, Powder coat
APPLICATION	Suits aluminium hinged and bi-fold doors
RODS	Stainless steel 1m & 1.5m
ROD THROW	19mm
INCLUDES	<ul style="list-style-type: none"> ▪ Lockbody ▪ Connecting rod and bolt connectors ▪ Packers ▪ Bolt guides ▪ Screw pack ▪ Furniture, escutcheon and cylinder retainer
HANDLE OPERATION	Vertical to horizontal (90 degrees)

COLOURS



Locked



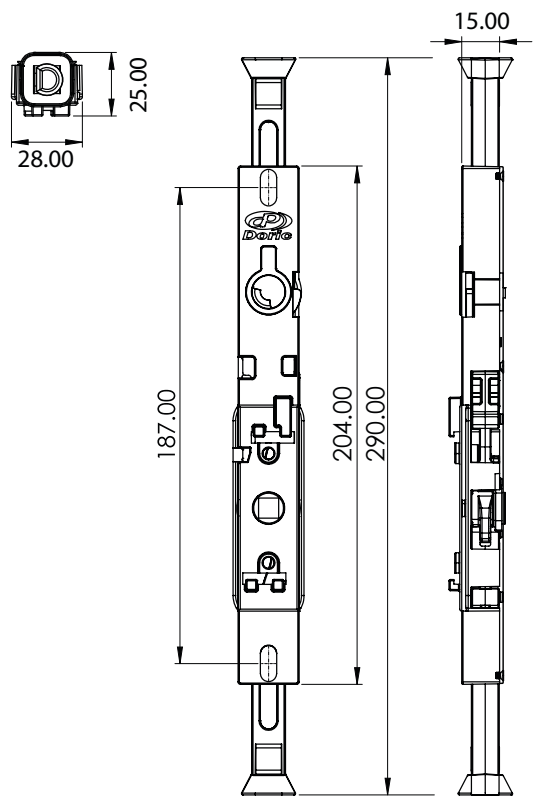
Unlocked



DS1250 MKII
Twin Point Bi-fold Lock



DIMENSIONS



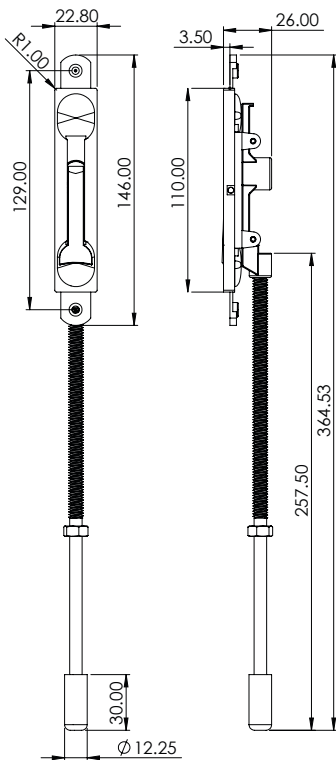
HOW TO ORDER

CODE	PRODUCT	OPTION	FINISH	CYLINDER
MDS1250MKII	DS1250 MKII	Locking (Keyed)	Satin Nickel, or Powder Coat (Black, White or Custom)	DS187
		Latching (Non-Keyed)		-

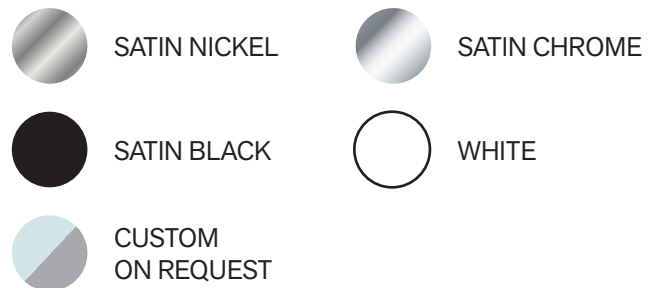
DN201 | MORTICED FLUSH BOLT WITH ROUND TIP

PRODUCT DETAILS

APPLICATION	Suits hinged, pivot or sliding doors
MATERIAL	Zinc body and lever Acetal rod tip
FINISH	Satin Nickel, Satin Chrome, Powder coat
FIXING	8G Screws (included)
ROD OPTIONS	Straight Rod: 250mm (standard) 150mm; 500mm Bent Rod: 250mm; 500mm



COLOURS



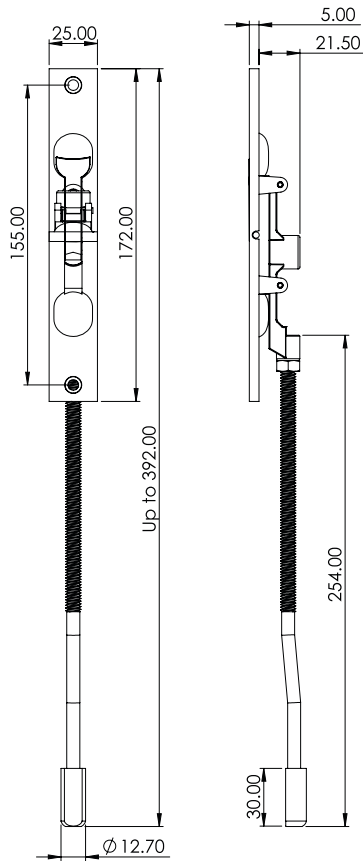
HOW TO ORDER

CODE	FINISH	ROD	FERRULES	ANGLE BRACKET
MDN201	Satin Nickel, Satin Chrome, STD Powder Coat or Custom	250mm (standard), 150mm, or 500mm	DN205, DN206, or DN210	DN214 or DN218


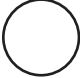

DN217 | SURFACE MOUNTED FLUSH BOLT

PRODUCT DETAILS

APPLICATION	Suits hinged, pivot or sliding doors
MATERIAL	Zinc body and lever Acetal rod tip
FINISH	Powder coat
FIXING	8G Screws (Included)
ROD OPTIONS	Bent Rod: 250mm (standard) Straight Rod: 250mm; 150mm; 500mm



COLOURS

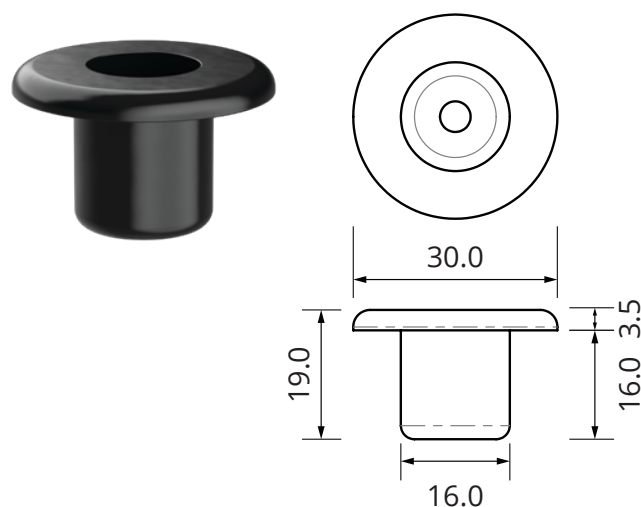
-  SATIN BLACK
-  WHITE
-  CUSTOM ON REQUEST

HOW TO ORDER

CODE	FINISH	ROD	FERRULES	ANGLE BRACKET
MDN217	STD Powder Coat or Custom	Bent Rod: 250mm (Std) Straight Rod: 250mm, 150mm, 500mm	DN205, DN206, or DN210	DN214 or DN218

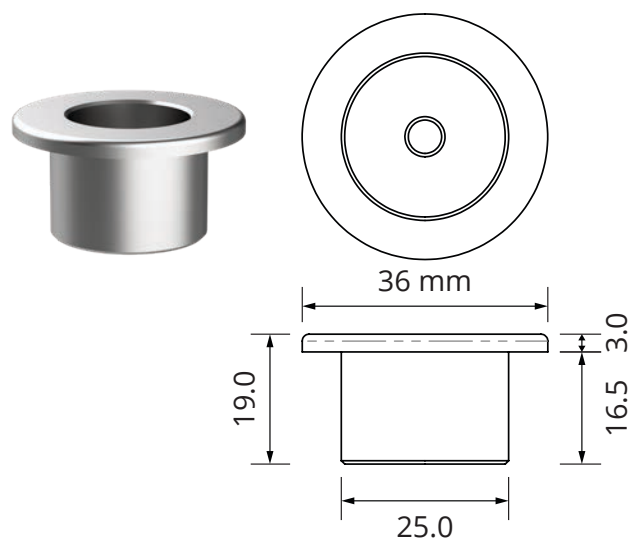
DN205 | FERRULE

SUITS	Flush bolts: DN201 & DN217 Optional rods: DN207, DN211 & DN250
MATERIAL	Zinc
FINISHES	Powder coat
ORDER CODE	9001679 - PC Satin Black



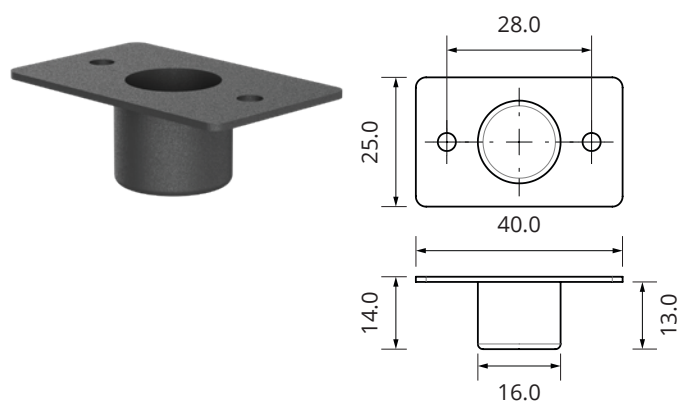
DN206 | FERRULE

SUITS	Flush bolts: DN201 & DN217 Optional rods: DN207, DN211 & DN250
MATERIAL	Zinc
FINISHES	Satin Chrome
ORDER CODE	9001681



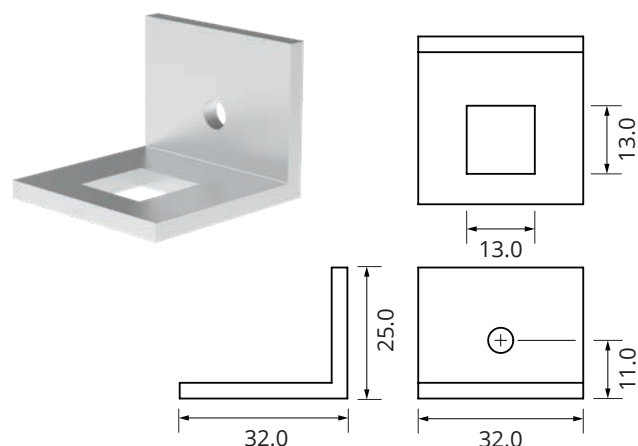
DN210 | FERRULE

SUITS	Flush bolts: DN201 & DN217 Optional rods: DN207, DN211 & DN250
MATERIAL	Polesium™
FINISHES	Mill finish
FIXINGS	6g screw - not included
ORDER CODE	9001686



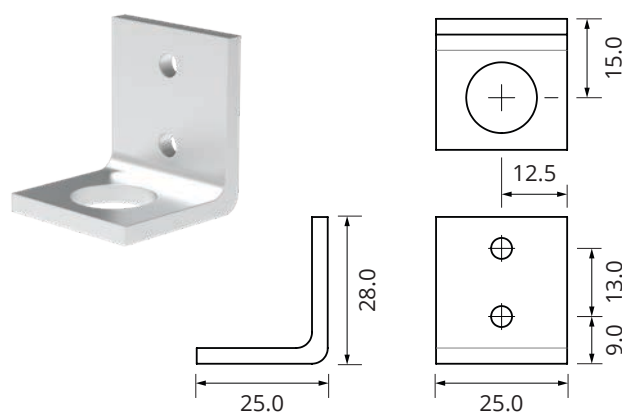
DN214 | FLUSH BOLT ANGLE BRACKET

SUITS	Flush bolts: DN201 & DN217 Optional rods: DN207, DN211 & DN250
MATERIAL	Aluminium
FINISHES	Mill finish
ORDER CODE	9003754



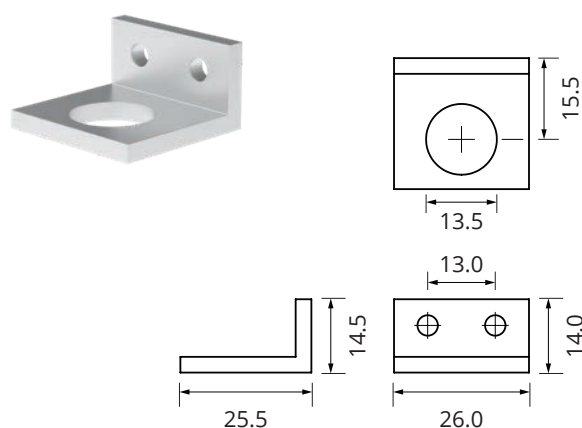
DN218 | NARROW FLUSH BOLT ANGLE BRACKET

SUITS	Flush bolts: DN201 & DN217 Optional rods: DN207, DN211 & DN250
MATERIAL	Aluminium
FINISHES	Mill finish
ORDER CODE	9011002



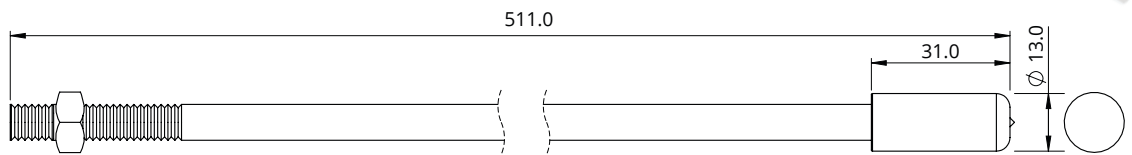
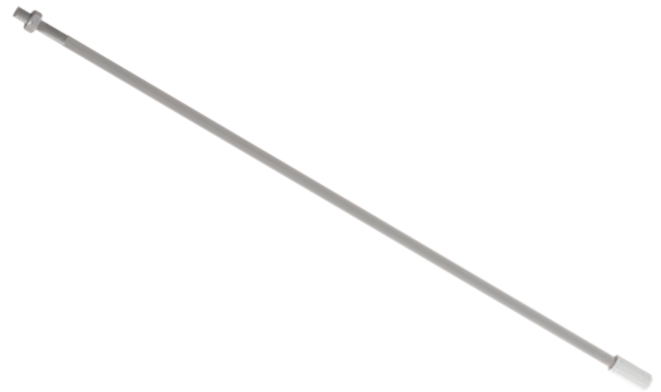
DN253 | FLUSH BOLT GUIDE

SUITS	Flush bolts: DN201 & DN217 Optional rods: DN207, DN211 & DN250
MATERIAL	Aluminium
FINISHES	Mill finish
ORDER CODE	9011262



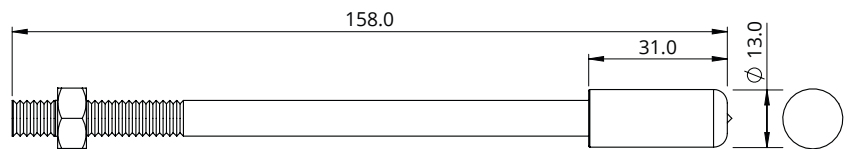
DN207 | 500MM STEEL ROD

SUITS	Flush bolts: DN201 & DN217
MATERIAL	Zinc plated steel rod with Acetal tip
FINISHES	White tip
ORDER CODE	9001683



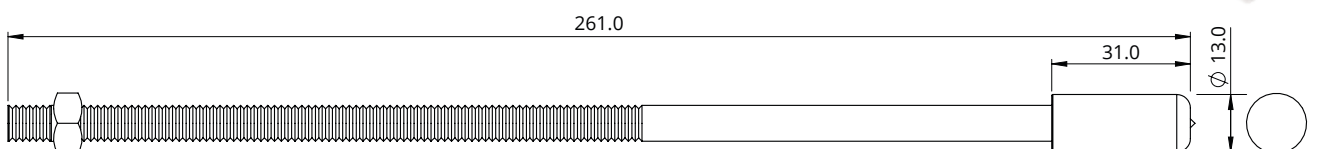
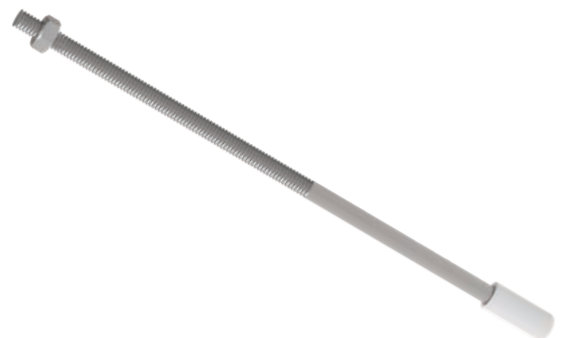
DN211 | 150MM STEEL ROD

SUITS	Flush bolts: DN201 & DN217
MATERIAL	Zinc plated steel rod with Acetal tip
FINISHES	White tip
ORDER CODE	9001687



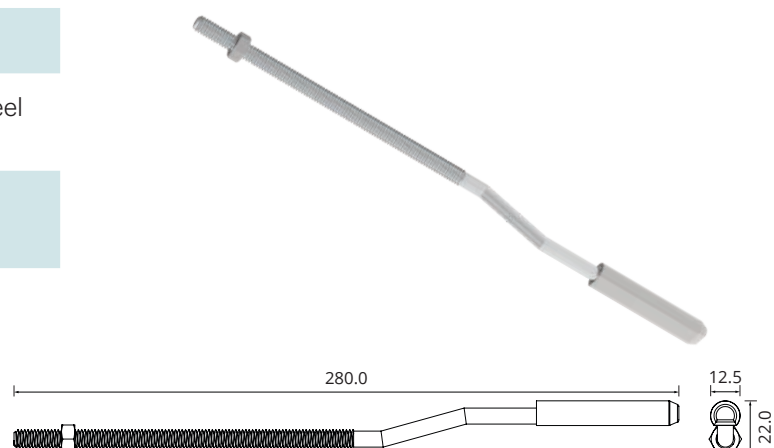
DN250 | 250MM STAINLESS STEEL ROD

SUITS	Flush bolts: DN201 & DN217
MATERIAL	Stainless steel rod with Acetal tip
FINISHES	Brushed Rod with White Tip
ORDER CODE	9001653



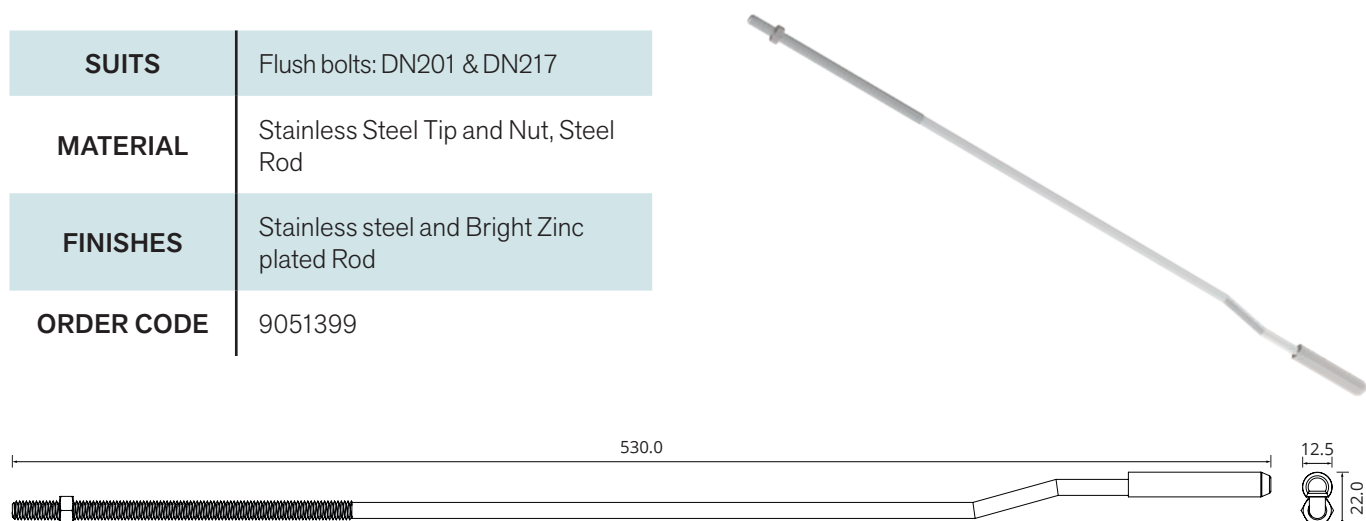
BENT ROD | 250MM STEEL BENT ROD

SUITS	Flush bolts: DN201 & DN217
MATERIAL	Stainless Steel Tip and Nut, Steel Rod
FINISHES	Stainless steel and Bright Zinc plated Rod
ORDER CODE	9051398



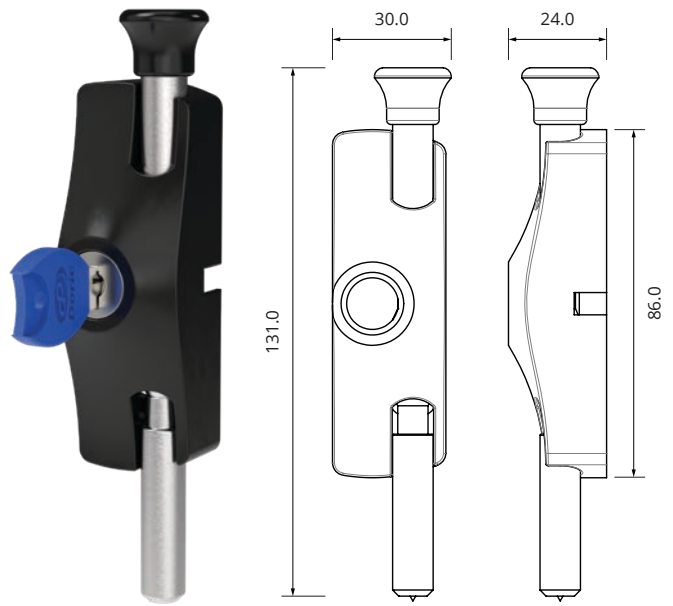
BENT ROD | 500MM STEEL BENT ROD

SUITS	Flush bolts: DN201 & DN217
MATERIAL	Stainless Steel Tip and Nut, Steel Rod
FINISHES	Stainless steel and Bright Zinc plated Rod
ORDER CODE	9051399



DS283 | MINI DOOR BOLT

APPLICATION	Universal bolt
MATERIAL	Zinc
FINISHES	Satin Black & Silver Pearl Powder Coats
FIXINGS	Included
BOLT	8mm steel ZP - 38mm throw
CYLINDER	DS125 5 Disc DS126 6 Disc
PACKER	Black Mill Finish (Optional)

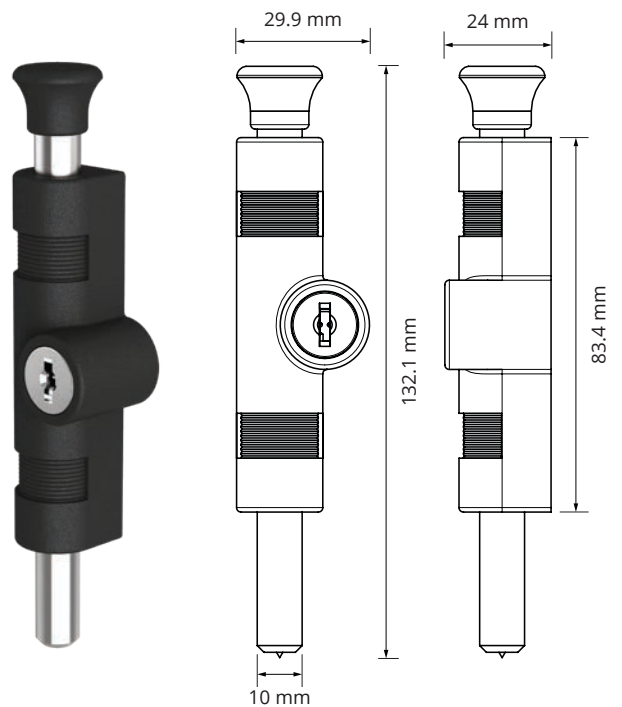


HOW TO ORDER

CODE	FINISH	CYLINDER	PACKER
MDS283	Satin Black or Silver	DS125, or DS126	(Optional)

DS290 | LOCKABLE DOOR BOLT

APPLICATION	Universal bolt
MATERIAL	Polesium™ cover, Zinc base
FINISHES	Satin Black
FIXINGS	Included
BOLT	10mm steel ZP - 38mm throw
CYLINDER	DS125 5 Disc DS126 6 Disc
PACKER (OPTIONAL)	DS293 - Black Mill Finish

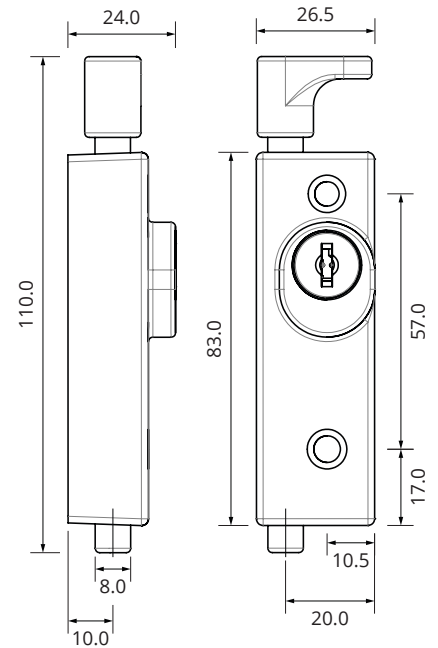


HOW TO ORDER

CODE	FINISH	CYLINDER	PACKER
MDS290	Satin Black	DS125, or DS126	(Optional)

DS316 | LOCKABLE DOOR BOLT

APPLICATION	Universal bolt
MATERIAL	Polesium™ cover, Zinc base
FINISHES	Powder Coat
FIXINGS	Included
BOLT	10mm steel ZP - 38mm throw
CYLINDER	DS125 5 Disc DS126 6 Disc
PACKER (OPTIONAL)	DS343 - Black Mill Finish

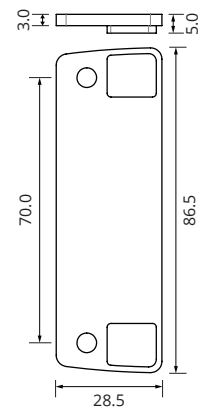


HOW TO ORDER

CODE	FINISH	CYLINDER	PACKER
MDS316	STD Powder Coat or Custom	DS125, or DS126	(Optional)

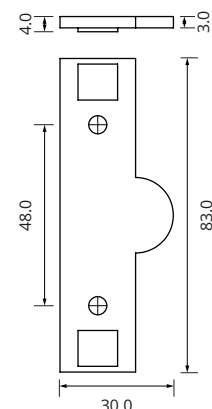
DS282 | PACKER TO SUIT DS283

MATERIAL	Polesium™
FINISH	Mill Finish
FIXINGS	6G screws (Not included)
ORDER CODE	9001404



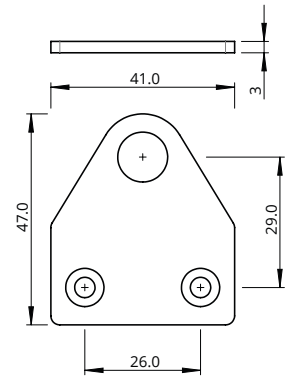
DS293 | PACKER TO SUIT DS290

MATERIAL	Polesium™
FINISH	Mill Finish
FIXINGS	6G screws (Not included)
ORDER CODE	9001405



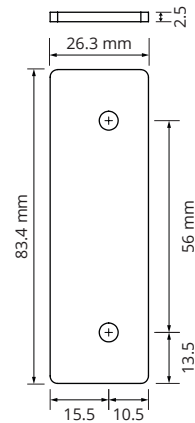
DS340 | PLATE TO SUIT DS316

APPLICATION	Suits DS316
MATERIAL	Zinc plated steel
FIXINGS	Not included if ordered separately
ORDER CODE	9000277



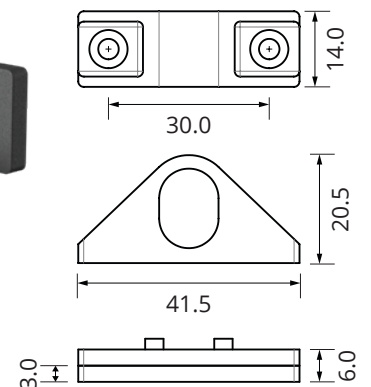
DS343 | PACKER TO SUIT DS316

APPLICATION	Suits DS316
FINISH	Mill Finish
MATERIAL	Polesium™
FIXINGS	6G Screws (not included)
ORDER CODE	9000280



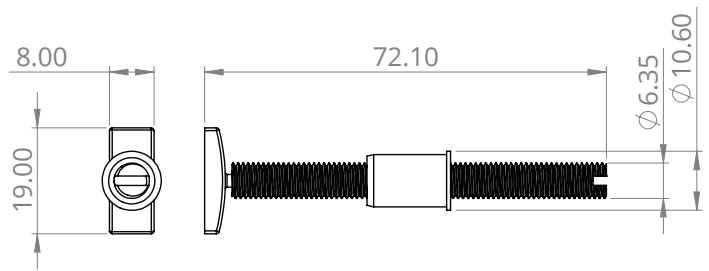
DS734 | SADDLE KEEPER & PACKER

APPLICATION	Suits DS280, DS283 & DS316 lockable door bolts
MATERIAL	Engineered plastic
FINISHES	Moulded black
FIXINGS	6g screw - not included
ORDER CODE	9014490



DN103 | GLASS TENSION SCREW SET

MATERIAL	Stainless Steel Nylon Tip
FINISH	Mill Finish
ORDER CODE	9001547



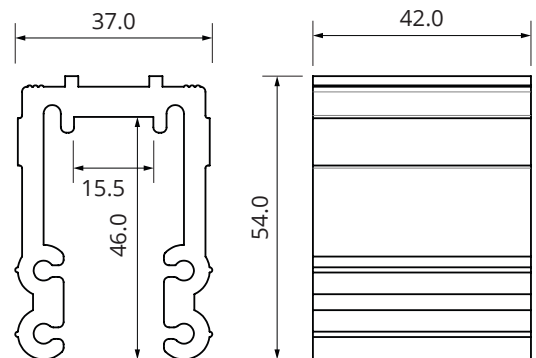
DN104 | SPIGGOT

APPLICATION	Suits aluminium frame
MATERIAL	Aluminium
FINISH	Mill finish



HOW TO ORDER

CODE	PRODUCT	DETAILS
9003606	DN104/00	Spiggot Only STD
9001550	DN104/29	Spiggot Set: 2 Long, 2 Short Bolts
9001551	DN104/30	Spiggot Set: 4 Long Bolts



ENTRANCE | HANDLES

DN50 | 300MM STAINLESS STEEL HANDLE

The DN50 is a round offset pull handle in a straight "D" type design for a commercial styling.

Available as a double-sided set pair or single sided fix configuration, it has been manufactured from high-quality 304 stainless steel with a satin finish and is suitable for a range of applications.

The DN50 handle not only ensures durability but also add a touch of formal sophistication.



PRODUCT DETAILS

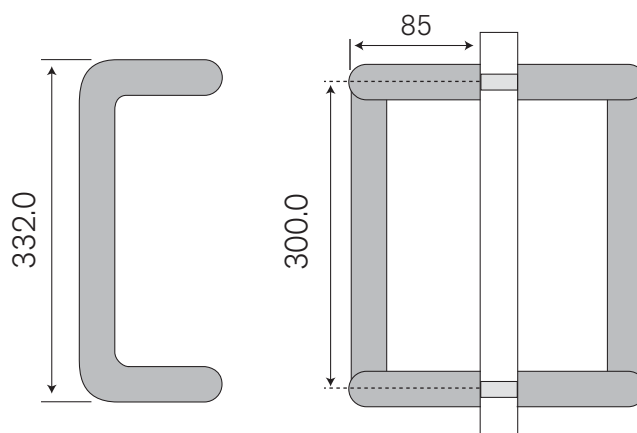
APPLICATION	Suits aluminium, glass & timber doors
MATERIAL	304 Stainless Steel tube 32mm Dia.
FINISH	Satin stainless steel
FIXINGS	Back to back fixings supplied. If single sided fixings are required, nominate either bolt through (DN62) or surface fix (SF)
CENTRE TO CENTRE	300mm

COLOURS



STAINLESS
STEEL

DIMENSIONS



HOW TO ORDER

CODE	FINISH
9005697	Stainless Steel Finish

DN54 | 300MM STAINLESS STEEL CURVED "D" HANDLE

"Queenscliff" Stainless steel (304) handle set.
Set pair (double sided) half moon type squared corner.

The DN54 handle set is manufactured from 304 Stainless steel, presented in a set pair configuration, features a half-moon design with squared corners making an attractive addition to entrance doors with a touch of class.

Ideal for glass doors, this set suits various door materials, including aluminium and timber. The Satin Stainless steel finish not only adds a elegance feel but also contributes to its hard-wearing and robust nature, making it a reliable choice for enduring performance in diverse high traffic applications.



PRODUCT DETAILS

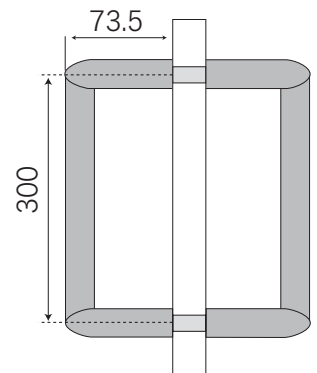
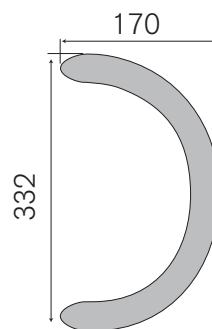
APPLICATION	Suits aluminium, glass & timber doors
MATERIAL	304 Stainless Steel tube 32mm Dia.
FINISH	Satin stainless steel
FIXINGS	Back to back fixings supplied
CENTRE TO CENTRE	300mm

COLOURS



STAINLESS
STEEL

DIMENSIONS



HOW TO ORDER

CODE	FINISH
9005696	Stainless Steel Finish

DN59 | STAINLESS STEEL HANDLE WITH FIXING PLATE

Single sided layback "D" Stainless steel handle with fixing plate.

Manufactured from durable 304 stainless steel, the DN59 handle boasts a utilitarian "D" pull design suitable for aluminum, glass, and timber doors. Its single-sided layout, complemented by a fixing plate, ensures easy installation and enhances overall robustness.

The layback design not only provides efficient jamb clearance but also allows the fitment of a mortice lock and escutcheon between the fixing plates. With a focus on durability and functionality, this pull handle is an ideal choice for a diverse range of applications.



PRODUCT DETAILS

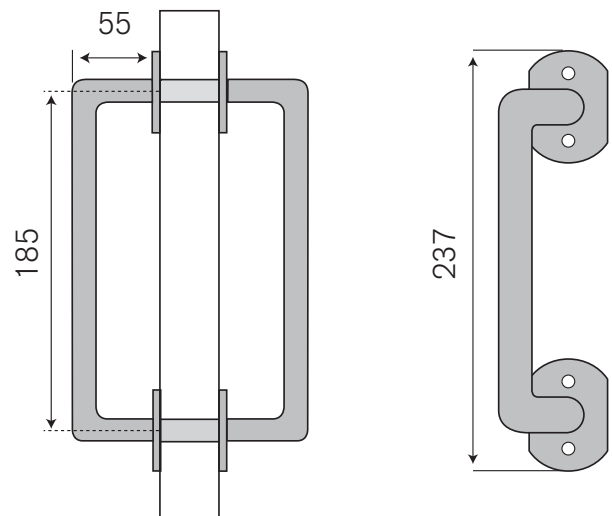
APPLICATION	Suits aluminium, glass & timber doors
MATERIAL	304 Stainless Steel tube 19mm Diameter
FINISH	Satin stainless steel
FIXINGS	Single Fix - SF
CENTRE TO CENTRE	185mm

COLOURS



STAINLESS
STEEL

DIMENSIONS



HOW TO ORDER

CODE	FINISH
9006261	Stainless Steel Finish

DN194 | EVOLUTION D-PULL ENTRANCE HANDLE

The DN194 D Pull is an elegant architectural styled pull handle ideal for residential living and forms part of the Evolution Door Hardware Range.

Designed for ease of use and simple to install, the DN194 can be installed on hinged and sliding entry doors including timber doors.

The DN194 can be easily kitted with the DN1290 Mortice Lockbody and DS1255 Escutcheon for a great entry lockset combination.

FEATURES

- Corrosion Resistant - Manufactured from Aluminium and powder coated offers a high degree for a quality long lasting handle
- Design Compatibility - Perfect for sliding door applications when coupled with a DS575 or DS578 Flush Pull where an external screen door is included
- Quality Powder Coating - DN194 is available in Satin Black or can be powder coated to requirements upon request



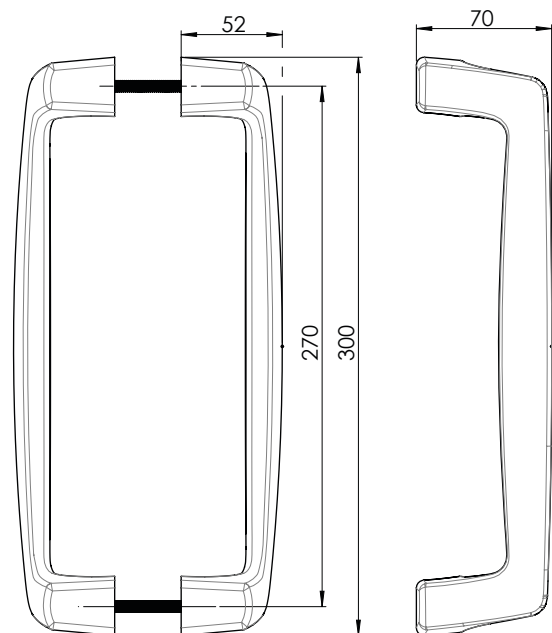
PRODUCT DETAILS

MATERIAL	Aluminium
FINISH	Powder coat
FIXINGS	M6x60mm & M6x70mm screws supplied including Locators, and Allen Keys
CENTRE TO CENTRE	270mm hole pitching
RECOMMENDED LOCKBODIES	DN1290/30 Evolution Lockbody DN1290/40 Evolution Lockbody
RECOMMENDED CYLINDERS	DS197; DS202; DS250
RECOMMENDED FURNITURE	DS1255 Escutcheon

COLOURS



DIMENSIONS



HOW TO ORDER

CODE	KIT	FINISH
MDN194	Single-sided D Pull, or Back-to-Back Kit	Powder coat

DN196 | STAINLESS STEEL SQUARE PULL HANDLE

Low profile, durable and aesthetically bold, the DN196 has been a common addition to many fine establishments and function centres across Australia.

Manufactured with High Grade 304 stainless steel, the versatile DN196 Stainless Steel Square Pull Handle is suitable for a range of timber and aluminium doors in both hinged, sliding applications.

FEATURES

- Corrosion Resistant - Manufactured from 304 Stainless steel, and powder coated offers a high degree for a quality long lasting handle
- Architectural Aesthetics - Perfect for commercial hinged entry doors or bespoke architectural applications



PRODUCT DETAILS

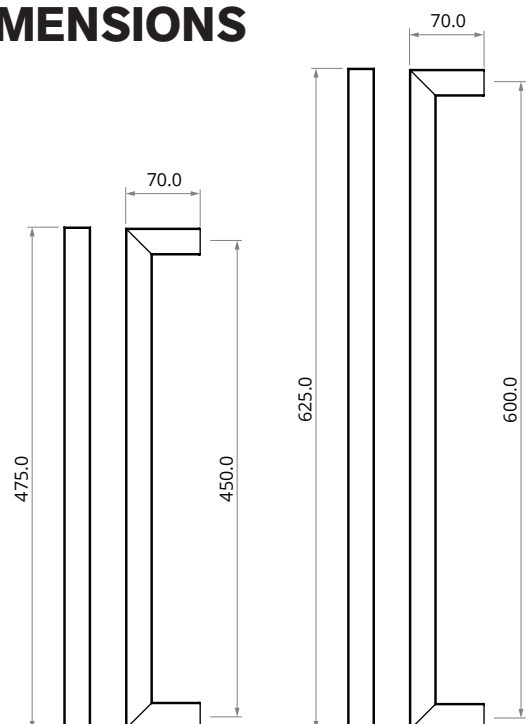
APPLICATION	Suits aluminium, glass & timber doors
MATERIAL	304 Stainless steel
FINISH	Satin stainless steel
FIXINGS	Back to back fixings supplied
CENTRE TO CENTRE	450mm; 600mm

COLOURS



STAINLESS
STEEL

DIMENSIONS



HOW TO ORDER

CODE	FINISH	HEIGHT
MDN196	Stainless Steel Finish	475 mm, 625 mm,

DN197 | SQUARE OFFSET STAINLESS STEEL HANDLE

Durable and aesthetically pleasing, the DN197 will make a great addition to any hinged or sliding door.

Manufactured with High Grade 304 stainless steel, the versatile DN197 Offset Pull Handle is suitable for a range of timber and aluminium doors in both hinged, sliding applications.

FEATURES

- Corrosion Resistant - Manufactured from 304 Stainless steel, and powder coated offers a high degree for a quality long lasting handle
- Quality Powder Coating - DN197 is available in Satin Black or can be powder coated to requirements upon request



PRODUCT DETAILS

APPLICATION	Suits aluminium, glass & timber doors
MATERIAL	304 Stainless steel
FINISH	Powder coat , or Satin stainless steel
FIXINGS	Back to back fixings supplied
CENTRE TO CENTRE	300mm; 400mm; 600mm

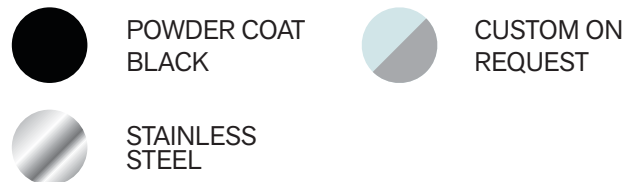
TESTING

- Salt spray tested to 100,000 hours

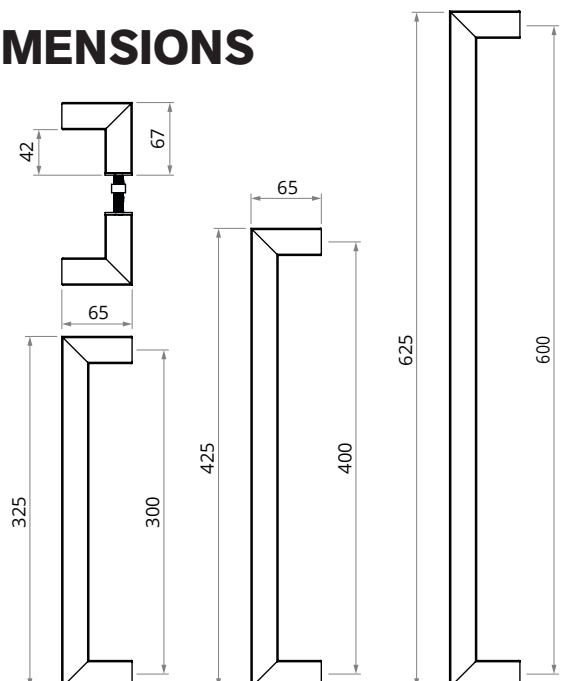
HOW TO ORDER

CODE	FINISH	HEIGHT
MDN197	Standard Powder Coat	425 mm,
	Non-Standard Powder Coat	325 mm,
	Stainless Steel Finish	625 mm,

COLOURS



DIMENSIONS



DN350 | ALUMINIUM D PULL HANDLE

The DN350 D Pull is bold architecturally styled entrance handle for hinged and sliding doors. Tough enough to withstand the rigours of daily living.

Choose either a BTB (Back to back) interior/exterior handle set or single sided interior which can be kitted with an exterior DS575 flush pull for applications where an exterior screen door is installed.

FEATURES

- Bold architectural styling
- Available as single sided or in back-to-back kit
- Manufactured from aluminium and powder coated to offer a high degree corrosion resistance
- Quality powder coating - Available in Satin Black or can be powder coated to requirements upon request



PRODUCT DETAILS

MATERIAL	Aluminium
FINISH	Powder coat
FIXINGS	M6x60mm & M6x70mm screws supplied including Locators, and Allen Keys
CENTRE TO CENTRE	270mm hole pitching
RECOMMENDED LOCKBODIES	DN1290/30 Evolution Lockbody DN1290/40 Evolution Lockbody
RECOMMENDED CYLINDERS	DS197; DS202; DS250
RECOMMENDED FURNITURE	DS1255 Escutcheon

COLOURS

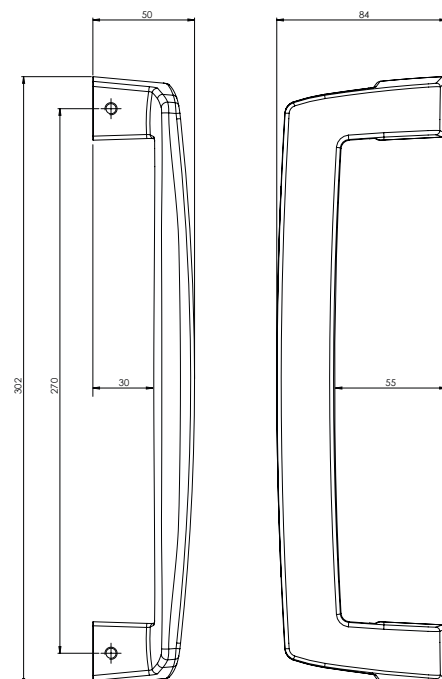


SATIN
BLACK



CUSTOM AVAILABLE
ON REQUEST

DIMENSIONS



HOW TO ORDER

CODE	KIT	FINISH
MDN350	Single-sided D Pull, or Back-to-Back Kit	Powder coat

DN351 | ALUMINIUM NARROW D PULL HANDLE

Tough enough to withstand the rigours of daily living, the DN351 is designed as the narrow style version of the DN350 where a slimline fit is required.

Suitable for residential sliding and hinged door suites, the range can be kitted with the DN1290 or available for stand alone order.

FEATURES

- Bold architectural styling
- Available as single sided or in back-to-back kit
- Manufactured from aluminium and powder coated to offer a high degree corrosion resistance
- Narrow style design of the DN350
- Quality powder coating - Available in Satin Black or can be powder coated to requirements upon request



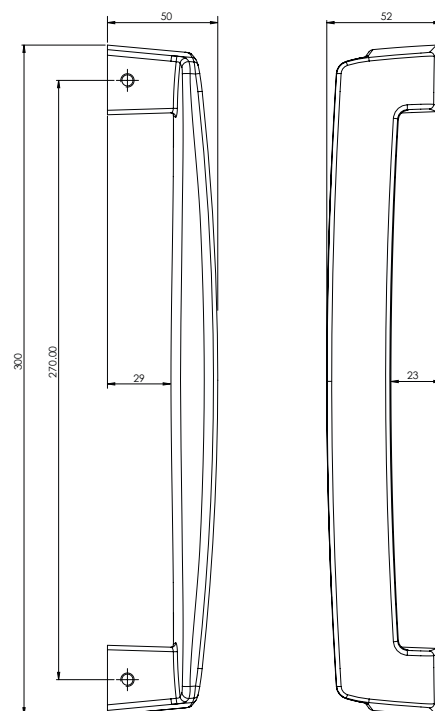
PRODUCT DETAILS

MATERIAL	Aluminium
FINISH	Powder coat
FIXINGS	M6x60mm & M6x70mm screws supplied including Locators, and Allen Keys
CENTRE TO CENTRE	270mm hole pitching
RECOMMENDED LOCKBODIES	DN1290/30 Evolution Lockbody DN1290/40 Evolution Lockbody
RECOMMENDED CYLINDERS	DS197; DS202; DS250
RECOMMENDED FURNITURE	DS1255 Escutcheon

COLOURS



DIMENSIONS



HOW TO ORDER

CODE	KIT	FINISH
MDN350	Single-sided D Pull, or Back-to-Back Kit	Powder coat

INDEX

3-Point Rod Kit	21	DS293 Packer to suit DS290	31
Bent Rod 250mm Steel Bent Rod	29	DS316 Lockable Door Bolt	31
Bent Rod 500mm Steel Bent Rod	29	DS340 Plate To Suit Ds316	32
D-Bolt Guide Kit 55mm	20	DS343 Packer To Suit Ds316	32
D-Bolt Guide Kit 75mm	20	DS734 Saddle Keeper & Packer	32
DN50 300mm Stainless Steel Handle	34	DS1250 MKII Twin Point Bi-fold Lock	22
DN54 300mm Stainless Steel Curved "D" Handle	35	DS1265 Single Point Swing Bolt Mortice Lockbody	10
DN59 Stainless Steel Handle With Fixing Plate	36	DS1267 Standard "D" Strike	17
DN103 Glass Tension Screw Set	33	DS1268 Narrow "D" Strike	17
DN104 Spiggot	33	DS1269 Single Point Swing Bolt Mortice Lockbody	11
DN194 Evolution D-Pull Entrance Handle	37	DS1273 Multi-Point Short Throw Swing Bolt Mortice Lockbody	13
DN196 Stainless Steel Square Pull Handle	38	DS1277/L Strike - Large (72mm)	18
DN197 Square Offset Stainless Steel Handle	39	DS1277/M Strike - Medium (34mm)	18
DN201 Morticed Flush Bolt with Round Tip	24	DS1277/S Strike - Small (27mm)	17
DN205 Ferrule	26	DS1277 Striker box	18
DN206 Ferrule	26	DS1278 Strike	19
DN207 500mm Steel Rod	28	DS1289 Multi Point Long Throw Swing Bolt Mortice Lock	14
DN210 Ferrule	26	DS1293 Tapered Swing Bolt Lipped Strike	19
DN211 150mm Steel Rod	28	DS1295 Single Point Projection Bolt Mortice Lockbody	12
DN214 Flush Bolt Angle Bracket	27	DS1297 RetroFit Kit To suit replacing with DS2800	16
DN217 Surface Mounted Flush Bolt	25	DS1299 Aluminium Tab Fitting Kit	19
DN218 Narrow Flush Bolt Angle Bracket	27	DS1400 Hinged Door Furniture	4
DN250 250mm Stainless Steel Rod	28	DS1500 Stainless Steel Hinged Door Furniture	6
DN253 Flush Bolt Guide	27	DS1600 Layback Hinged Door Furniture	8
DN350 Aluminium D Pull Handle	40	DS2800 Lift to Lock Mortice Lockbody	15
DN351 Aluminium Narrow D Pull Handle	41	DS2800 Midguide	21
DS282 Packer to suit DS283	31	Locking Bolt Connector Kit	21
DS283 Mini Door Bolt	30	Vertical Shoot Bolt Assemblies	20
DS290 Lockable Door Bolt	30		

INNOVATORS

OF HARDWARE FOR WINDOWS AND DOORS

Doric Catalogue Hinged Door.v1.4-15.08.2024

SYDNEY

38 Redfern St,
Wetherill Park
Sydney, NSW 2164
Australia
Ph: +61 2 9609 2555
www.doric.com.au

AUCKLAND

26/C Triton Drive,
Albany, North Shore,
Auckland 0632
New Zealand
Ph: +64 9 415 5535
www.doric.co.nz

KUALA LUMPUR

Unit 6, Level 4, SetiaWalk Mall (*Block K*),
SetiaWalk, Persiaran Wawasan,
Pusat Bandar Puchong,
47160 Puchong, Selangor, Malaysia
Ph: +603 8602 2100
www.doric.com.my



HINGED DOOR

DORIC CATALOGUE - 2024

LOCKS, HARDWARE
& ACCESSORIES